

Impulse[®] P Series

Impulse[®] P8 - 8" Pendant Speaker



Description

The Peavey Impulse P-Series pendant speakers combine clean, modern aesthetics with reliable commercial-grade performance, making them ideal for hospitality, retail, and open-ceiling environments. Their minimalist design is favored by architects and designers, while pendant mounting eliminates the need for wall or ceiling cutouts and preserves the integrity of the space.

Designed for high-ceiling applications, the Impulse P-Series can be suspended to bring sound closer to the listener, improving clarity and coverage while freeing wall and floor space for greater layout flexibility.

The Impulse P8 contains a premium 60 Watt multi-tap transformer for 70V/100V operation, as well as 8 Ohm bypass low impedance operation.

The Impulse P-Series pendant speakers feature recessed single suspension points on the top, and additional safety suspension points on the sides. For maximum reliability and security the P-Series comes with industry standard Gripple[®] suspension kit included.

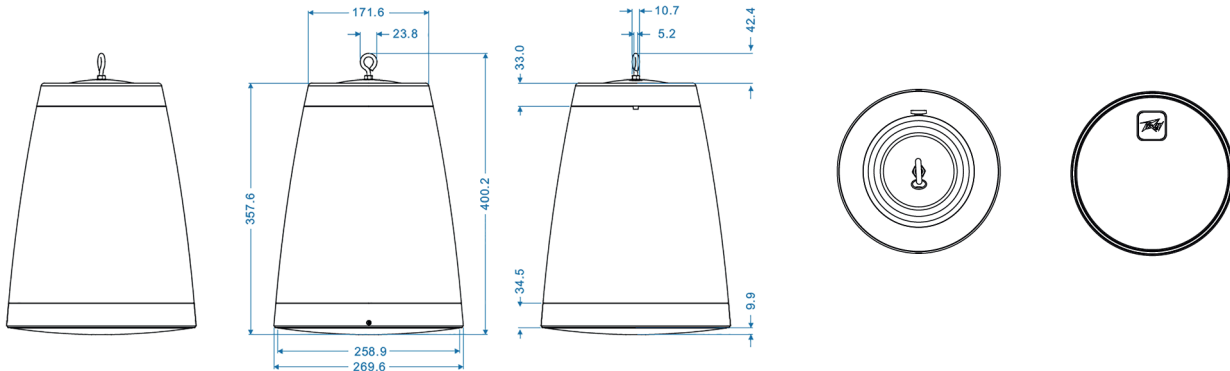
Built for professional installations, the Impulse P-Series delivers consistent sound quality, straightforward installation, and long-term reliability.

Features

- **Passive 2-way pendant speaker**
- **8" woofer, 1.2" voice coil**
- **1.1" tweeter, 1.1" voice coil**
- **Power handling: 60 Watts**
- **Nominal impedance: 8 Ohms**
- **Built-in 70/100V transformer**
- **Coverage pattern (HxV): 90° x 90°**
- **Connectors: 1 x 4-pin Euroblock**
- **Fire-rated injection-molded PP enclosure**
- **Gripple[®] suspension kit included, 2 x 10 ft (2 x 3 m)**
- **Available in Black or White**

Configuration:	2-way Passive Pendant Speaker	Suspension Hardware:	Gripple® No. 2 - 2 x 3 m (2 x 10 ft)
Power Continuous (Watts):	n/a	U-Bracket:	n/a
Rated Power (Watts):	60	Enclosure Design:	Bass Reflex Ported
Sensitivity (1W/1m):	86 dB	Enclosure Material:	Fire-rated Polypropylene
Max SPL Peak:	112 dB	Black Finish:	Matte Black Spray Paint
LF Driver:	1 x 8" (203 mm)	RAL #:	n/a
Woofer Voice Coil:	1.2" (30 mm)	White Finish:	Matte White Spray Paint
HF Driver:	1 x 1.1" (28 mm)	RAL #:	n/a
HF Driver Voice Coil:	1.1" (28 mm)	Tweeter Protection:	No
Nominal Coverage (HxV):	90° x 90°	Rubber Feet:	No
Frequency Range (-10 dB):	80 Hz - 20 kHz	Handles:	No
Frequency Response (±3 dB):	55 Hz - 20 kHz	Loop Thru (2+/2-):	n/a
Nominal Impedance:	8 Ohms (Transformer Bypass)	Logo Position on Grille:	Side Center
Transformer Taps @ 70V (Watts):	7.5 / 15 / 30 / 60	Logo Size:	25.4 x 25.4 mm
Transformer Taps @ 100V (Watts):	15 / 30 / 60	Grille Foam Backing:	n/a
Input Connector:	1 x 4-pin Euroblock	Grille Mesh Size (mm):	Φ1.1 x P1.6
Suspension Points Top:	1	Net Weight:	11 lbs (5 kg)
Suspension Points Side:	1	Dimensions (HW) @ Base:	14.1" x 10.6" (357.6 x 269.6 mm)
Mounting Points for U-Bracket:	n/a	Dimensions (HW) @ Top:	14.1" x 6.8" (357.6 x 171.6 mm)

Dimensions



Architect's & Engineer's Specifications

The compact passive pendant speaker shall have a frequency response from 80 Hz to 20 kHz (10 dB below rated sensitivity, with no external equalization). The peak SPL with inaudible distortion shall reach 112 dB with music as a source, when measured at a distance of 1 m driven to full output capacity. The system shall consist of a 8 inch (203 mm) low frequency transducer with 1.2 inch (30 mm) voice coil and co-axially mounted 1.1 inch (28 mm) dynamic tweeter with 1.1 inch (28 mm) voice coil. The nominal radiation pattern shall be 90° in horizontal plane and 90° in vertical plane. The speaker system shall be capable of 60W sine wave power output into an 8 ohm nominal load, when using transformer.

Sensitivity shall be 85 dB for 1 Watt of input via the 8 Ohm bypass connection. The speaker system's transformer supports both 70V and 100V voltage, with selectable power taps at 60W, 30W, 15W, 7.5W at 70V, and 60W, 30W, 15W at 100V, and 8 Ohm transformer bypass setting.

The system shall use one 4-pin Euroblock connector for signal input, which are designed to allow for series or parallel wiring of multiple speakers, using tinned wire connections.

The enclosure shall be constructed of injection-molded plastic with a UL flame rating. The cabinet shall be vented for extended bass response. The perforated metal grille is fastened with additional safety retainer screws. An eyebolt shall be supplied for insertion into the top of the cabinet for hanging purposes, with a lock washer and jam nut to prevent loosening.

A Gripple #2 hanging kit with two wire ropes, each 10 ft (3 m) long, are to be supplied, one for the primary hang, and one for the safety line. A safety line attachment point shall be provided near the top of the cabinet.

The pendant loudspeaker shall be 14.1 inches (357.6 mm) high by 10.6 inches (269.6 mm) wide at the base, and 6.8 inches (172.6 mm) wide at the top, weighing 11 pounds (5 kg). The finish shall be either matte black paint, or matte white paint.

The passive pendant speaker shall be the Peavey Impulse P8.



© 2026 - Rev F1-2026-05-15

Features and specifications subject to change without notice.

Peavey Electronics Corporation • 5022 Hartley Peavey Drive • Meridian, MS 39305
Phone: (601) 483-5365 • Fax: (601) 486-1278 • www.peaveycommercialaudio.com



Commercial Audio