

CIP™ Series

CIP™ 26 - 2-way PoE++ Powered Speaker



Description

The CIP 26 is a ported enclosure housing dual 6.5-inch woofers and a 1-inch tweeter — more low-end authority and headroom than a single-driver design, with the efficiency and mounting versatility to fit a wide range of installations.

That driver complement delivers across genres: the cinematic weight of film scores, the rhythmic punch of hip-hop, the raw drive of hard rock, and the detail of jazz and modern pop — all with clarity and presence to match the room.

Dante® networking via a single RJ45 port provides native integration with any Dante or AES67 environment — stable, low-latency digital audio without analogue cabling. PoE++ delivers power and audio over that same cable, eliminating separate power runs and simplifying every install.

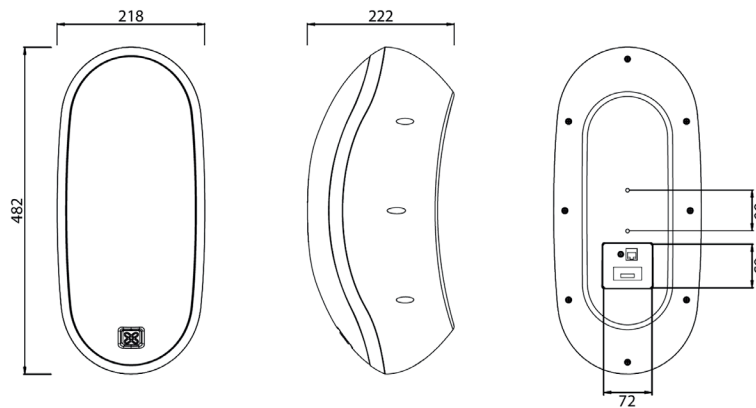
High efficiency. Versatile mounting. One cable. The CIP 26 is purpose-built for professional networked audio environments where performance and installation simplicity both matter.

Features

- Compact two-way PoE++ powered loudspeaker
- Audio over IP: Dante® (AES67 compliant)
- Two premium 6.5" woofers, 1.5" voice coil
- 1" Neodymium dynamic tweeter, 1" voice coil
- Continuous power handling: 30 Watts
- Nominal impedance: 8 Ohms
- Coverage pattern (HxV): 120° x 75°
- Supports Power over Ethernet (PoE++ IEEE 802.3bt Type 3)
- Connectors: 1 x RJ45
- UL94V0 Flame-rated injection-molded plastic enclosure
- Unique oval port tube enclosure design
- Wall mount included
- Available in Black

Configuration:	2-way PoE++ Powered Speaker	Amplifier:	Class D, bi-amped
Power Continuous (Watts):	30	Internal DSP:	Yes
Power Peak (Watts):	60	Mounting Points for Wall Bracket:	2 x M6 (back of cabinet)
Sensitivity (1W/1m):	88 dB	Wall Bracket:	Included
Max SPL Peak:	103 dB	Enclosure Design:	Oval Port Tube Enclosure
LF Driver:	2 x 6.5" (165 mm)	Enclosure Material:	UL94V0 Flame-rated Injection-molded Plastic
Woofers Voice Coil:	1.5" (38 mm)	Black Finish:	Matte Black Spray Paint
HF Driver:	1 x 1" (25 mm) Neodymium with Titanium Diaphragm	RAL #:	9004
HF Driver Voice Coil:	1" (25 mm)	White Finish:	n/a
Nominal Coverage (HxV):	120° x 75°	RAL #:	n/a
Frequency Range (-10 dB):	65 Hz - 20 kHz (wall mounted) / 70 Hz (free space)	Operating Temperature:	-4°F - 140°F (-20°C - 60°C)
Frequency Response (±3 dB):	75 Hz - 20 kHz (wall mounted) / 84 Hz (free space)	Logo Position on Grille:	Bottom Center
Nominal Impedance:	8 Ohms	Logo Size:	25 x 25 mm
Input Connector:	1 x RJ45	Grille Material:	Steel, Powder Coated
Power Source:	PoE++ IEEE 802.3bt Type 3	Grille Foam Backing:	n/a
Audio over IP:	Dante® (AES67 compliant)	Grille Mesh Size (mm):	5 x 2.5
IP Mode:	DHCP (Default) or Static	Net Weight:	12.8 lbs (5.8 kg)
External Power Supply:	DC In - 24 V, 2.7 A	Dimensions w/o Bracket (HWD):	18.98" x 8.58" x 8.74" (482 x 218 x 222 mm)
Cat Cable Specification:	Cat6a recommended	Dimensions with Bracket (HWD):	TBA

Dimensions



Architect's & Engineer's Specifications

The compact PoE++ powered loudspeaker shall have a frequency response from 65 Hz to 20 kHz (10 dB below rated sensitivity, when wall mounted, with no external equalization). Nominal impedance shall be 8 ohms. The peak SPL with inaudible distortion shall reach 103 dB with music as a source, when measured at a distance of 1 m driven to full output capacity. The system shall consist of two 6.5 inch (165 mm) low frequency transducers with 1.5 inch (38 mm) voice coil and a 1 inch (25 mm) dynamic tweeter with 1 inch (25 mm) voice coil. The nominal radiation pattern shall be 120° in horizontal plane and 75° in vertical plane. The powered, bi-amplified PoE++ loudspeaker shall have an RJ45 Ethernet connector on the rear panel. This connector shall accept a Dante or AES67 signal for audio, as well as the PoE++ power voltage per IEEE 802.3bt Type 3. There shall be an external, 5.5 mm by 2.1 mm barrel type, power input jack, which will accept external 24 V DC power supplies, capable of delivering 2.7 A of filtered DC power.

The system power amplifiers shall have an unfiltered frequency response of 20 Hz to 20 kHz which deviates no more than +0, -3 dB up to rated power, hum and noise better than 90 dB below rated power, and THD and IMD less than 1%. The woofers amplifier shall be capable of 20 watts sine wave power output into an 8 ohms nominal load, and the tweeter amplifier shall be capable of 20 watts sine wave power into 8 ohms nominal load, before compression and/or limiting engage.

The input signal shall be electronically divided into high frequencies and low frequencies by a line-level electronic crossover. The low frequencies shall be processed to provide bass boost, subsonic filtering and overall response shaping. High frequencies shall be equalized for response shaping.

The oval port tube enclosure shall be constructed of injection-molded plastic with a UL94V0 flame rating, and reinforcing ribs internally. A wall mount bracket shall be supplied with the speaker system for wall-mount use. A steel grille shall be provided for overall driver protection.

The loudspeaker shall be 18.98 inches (482 mm) high by 8.58 inches (218 mm) wide by 8.74 inches (222 mm) deep, weighing 12.8 pounds (5.8 kg) including the wall mount bracket. The finish shall be a matte black paint in RAL 9004. Power requirements shall be: PoE++ IEEE 802.3bt Type 3, nominally via a 60 watts rated power injector or powered PoE++ switcher (not included) or an external power supply of 24 V DC at 2.7 A.

The compact PoE++ powered loudspeaker shall be the Crest Audio CIP 26 with included wall mount bracket.