



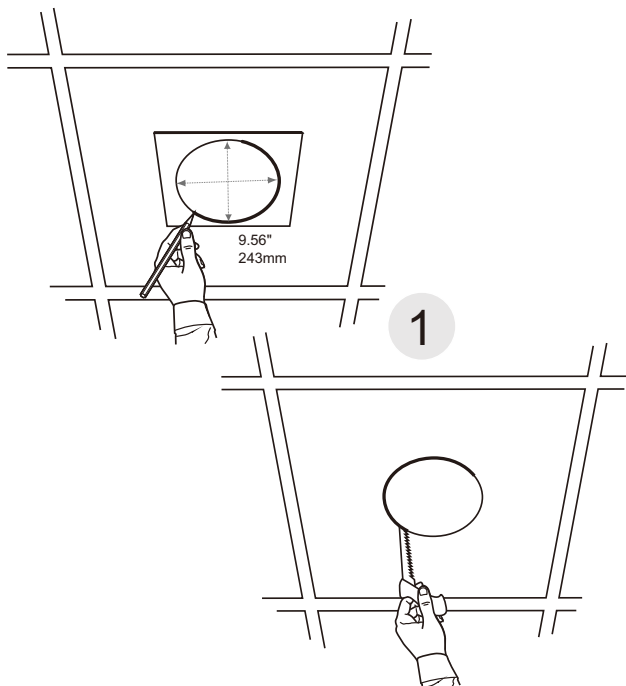
CPL4T Ceiling Speaker

Operating
Manual

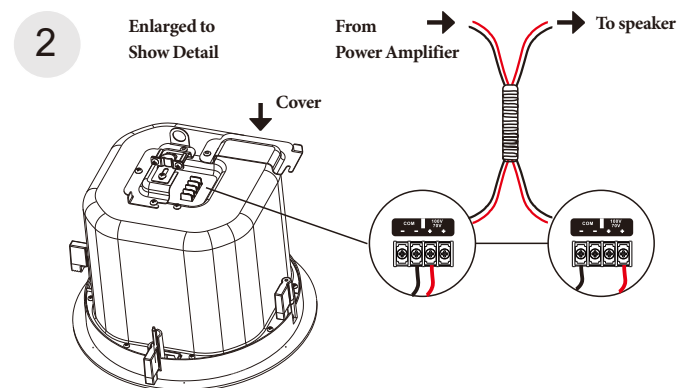


Frame Construction Ceiling Installation

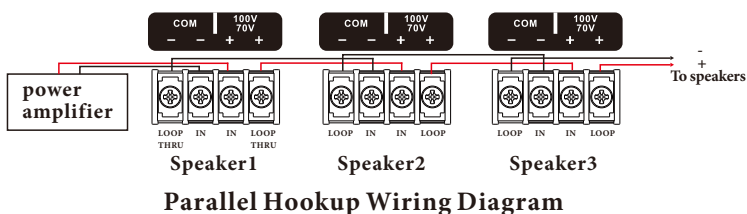
1
Take the cutout template from the packaging box and punch out along the larger perforated circle. Place the cutout template against the bottom of the ceiling and trace the inside of it. Carefully cut out the ceiling material along the circle.



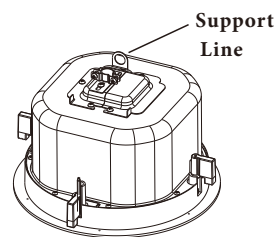
2
Remove the top cover to contact the 4-position screw-terminal barrier strip on the back of the speaker. Connect the speaker wire to the 4-position screw-terminal barrier strip. Install the catheter and secure the connection.



3
Replace the top cover and tighten the screws. connector a secondary support line from the seismic tab to a secure support point.



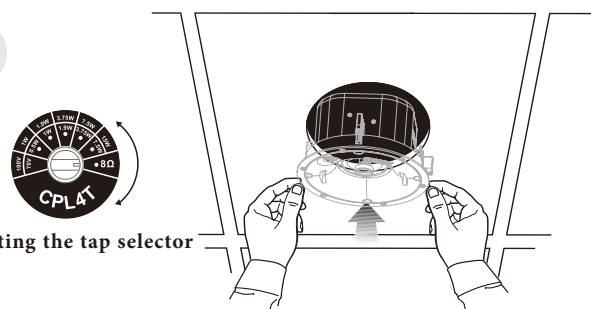
3



4

Remove the grille and set the rotary tap selector switch. insert the speaker through the bottom of the hole in the ceiling.

4



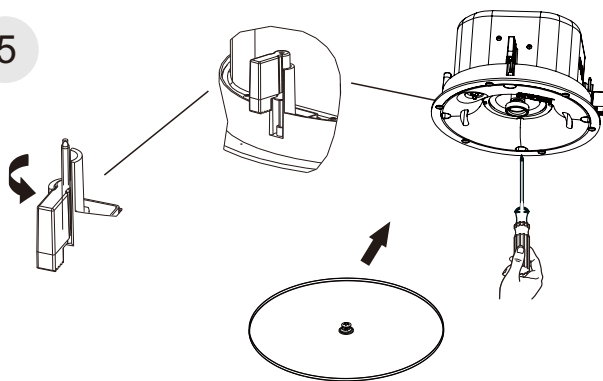
Adjusting the tap selector

5

Loosen the four screws on the front baffle (counter clockwise) 1/2 turn. Then tighten the screws (clockwise) until the dog legs clamp the speaker to the ceiling. Then install the speaker grille.

CAUTION Do not over tighten screws.

5



Crest Audio CPL4T Ceiling Speaker Specifications

- Frequency Response65Hz - 11.8kHz,-10dB
- Power Handling40W @8Ω
- Nominal Sensitivity.....86dB ±3dB ,1m,1W
- Transformer Taps.....15W, 7.5W, 3.75W, 1.9W, 1W, (100V)
70V capable
- Component.....4" woofer, PP cone and rubber surround 3/4" soft dome tweeter
- Crossover Frequency.....4kHz
- Recommended filter type and point: 24 dB/oct. Linkwitz-Riley at 80 Hz.
- Outside Dimensions.....275mm x 170mm
- Cutout Diameter.....243mm
- Weight.....1.81kg/4 lbs

**CREST
AUDIO**
CPL4T
Ceiling Speaker

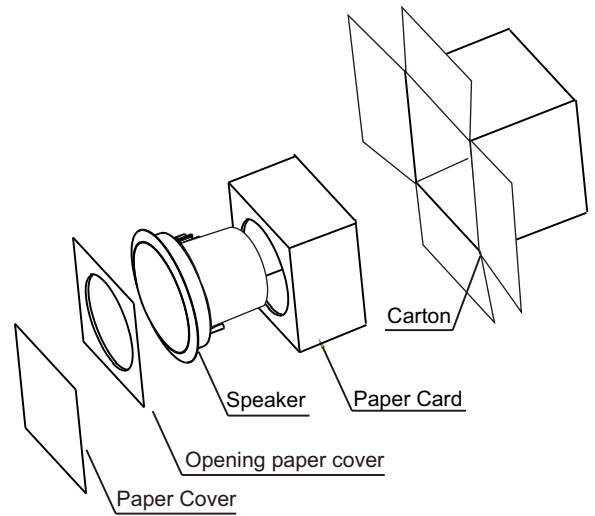
The CPL4T tweeter can be aimed toward a desired listening area, so the clarity of the announcements or music can be improved. Carefully but firmly grasp the tweeter flange and aim the tweeter in the desired angle.

DO NOT APPLY EXCESSIVE FORCE, OR THE TWEETER MOUNTING POST MIGHT GET DAMAGED.

FEATURES:

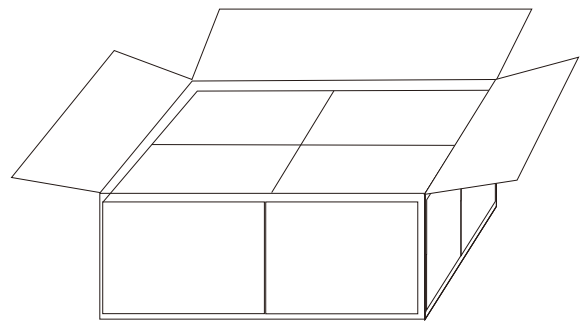
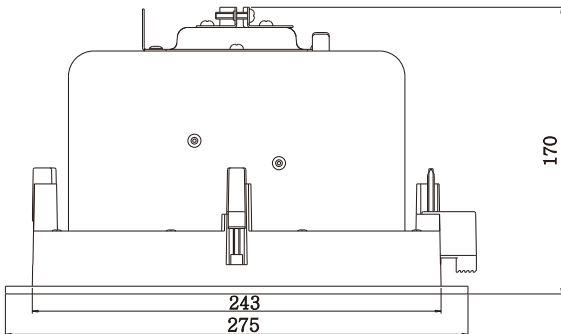
- Ultrathin fireproof cover design.
- Magnetic suction type grille, easy to disassemble.
- Integrated design used in various places.
- Wide dynamic range can keep in large volume output without distortion.
- The logo can rotate 360 degrees.
- With steel fire dome.

PACKAGING:



Product size diagram:

Unit: mm



An carton boxed 4 units



www.peaveycommercialaudio.com

Warranty registration and information for U.S. customers available online at
www.peaveycommercialaudio.com/warranty
or use the QR tag below



Features and specifications subject to change without notice.

Crest Audio 5022 HWY 493 N. Meridian, MS 39305 (601) 483-5365 FAX (601) 486-1278



Logo referenced in Directive 2002/96/EC Annex IV
(OJ(L)37/38,13.02.03 and defined in EN 50419: 2005
The bar is the symbol for marking of new waste and
is applied only to equipment manufactured after
13 August 2005

A