

CPL™ + Series

CPL™ 6+ - 2-way Passive Speaker

CREST
AUDIO®



Description

The Crest Audio® CPL™ 6+ is an ultra-compact passive two-way loudspeaker designed for music playback, public address and live performance reinforcement applications where space is at a premium.

The CPL 6+ can be utilized for both permanent installations and portable live sound applications. Perfect for public address, monitoring and background audio reinforcement purposes typically required in houses of worship, clubs, bars/restaurants, retail outlets plus education and corporate meeting facilities or anywhere high quality discrete audio distribution is required.

The CPL 6+ is equipped with a premium 6.5 inch woofer having a 1.2 inch voice coil together with a 1 inch exit compression driver known for its smooth frequency response and non-fatiguing mid range. Directivity pattern of the loudspeaker is measured at 90° horizontal and 60° vertical providing a wide yet well controlled audio coverage. An internal advanced crossover network maintains EQ and driver protection. Impedance of the loudspeaker is 16 Ohms allowing for easy daisy chaining. Connectivity is made via either looping 4-pin twist-lock or 4-pin Euroblock connectors.

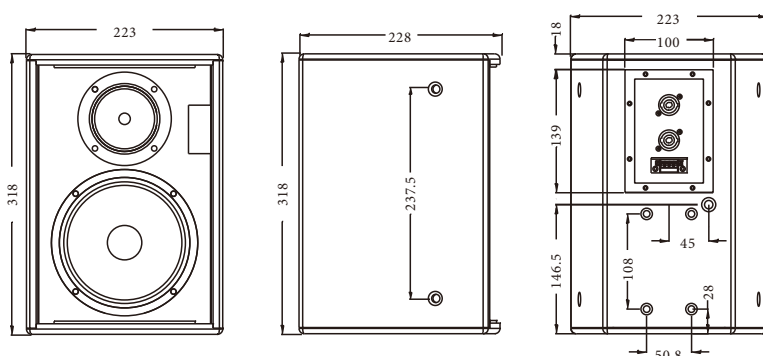
The CPL 6+ enclosure is built from prime-grade 12 mm plywood that offers sturdy mechanical and low resonant electro-acoustic characteristics together with a heavy-duty steel grille backed with acoustic foam to ensure maximum protection of the internal components. The loudspeaker is equipped with a total of 13 threaded suspension points offering multiple mounting options for various applications. Available in durable black and white finish.

Features

- Ultra-compact passive two-way loudspeaker
- Premium 6.5" woofer, 1.2" voice coil
- 1" Compression driver, 1" voice coil
- Continuous power handling: 75 Watts
- Nominal impedance: 16 Ohms
- Coverage pattern (HxV): 90° x 60°
- Connectors: 2 x 4-pin twist-lock & 4-pin Euroblock
- 2+/- Loop Through
- Advanced crossover network
- Tweeter protection
- 12 mm Plywood construction
- Textured polyurea paint
- 9 x M8 suspension points (2 top, 2 bottom, 2 each side, 1 rear)
- 4 x M6 suspension points for Peavey® Versamount™ 35
- Available in Black and White

Configuration:	2-way Passive Speaker	Pole Mount:	Optional with special adapter
Power Continuous (Watts):	75	U-Bracket:	Optional
Power Peak (Watts):	300	Enclosure Design:	Trapezoidal
Sensitivity (1W/1m):	92 dB	Enclosure Material:	0.47" (12 mm) Plywood
Max SPL Peak:	117 dB	Black Finish:	Textured Polyurea Paint
LF Driver:	1 x 6.5" (165 mm) - Crest Audio GYKW-0630A-1	RAL #:	9004 Signal Black (Pantone: Black 6)
Woofer Voice Coil:	1.2" (30 mm)	White Finish:	Textured Polyurea Paint
HF Driver:	1 x 1" (25.4 mm) - Crest Audio CPL69081	RAL #:	9003 Signal White (Pantone: 705)
HF Driver Voice Coil:	1" (25.4 mm)	Tweeter Protection:	Yes
Nominal Coverage (HxV):	90° x 60°	Rubber Feet:	Yes (not mounted)
Frequency Range (-10 dB):	73 Hz - 19 kHz	Handles:	No
Frequency Response (±3 dB):	130 Hz - 17 kHz	Loop Thru (2+/2-):	Yes
Nominal Impedance:	16 Ohms	Logo Position on Grille:	Bottom Center
Input Connectors 1:	2 x 4-pin twist-lock (NL-4 style)	Logo Size:	25 x 25 mm
Input Connectors 2:	1 x 4-pin Euroblock	Grille Foam Backing:	Yes (acoustically transparent)
Suspension Points:	9 x M8	Grille Mesh Size (mm):	3 x 12
Suspension Points Location:	2 x Top, 2 x Bottom, 2 x Left, 2 x Right, 1 x Rear	Monitor Tilt Angle:	No
Suspension Points Rear:	4 x M6 (for optional Versamount 35)	Net Weight:	14.3 lbs (6.5 kg)
Mounting Points for U-Bracket:	Yes (2 x M8 - Top & Bottom)	Dimensions (HWD):	12.52" x 8.78" x 8.98" (318 x 223 x 228 mm)

Dimensions



Accessories



Architect's & Engineer's Specifications

The ultra-compact loudspeaker shall consist of a 6.5 inch (165 mm) low frequency transducer with 1.2 inch (30 mm) voice coil and a 1 inch (25.4 mm) exit compression driver with a 1 inch (25.4 mm) voice coil and a frequency dividing network installed within the enclosure.

Performance specifications of a typical production unit shall be: Measured sensitivity SPL at 1 m (3.3ft) with 4.0V input, shall be 92 dB-SPL. Usable frequency response shall extend from 73 Hz to 19 kHz (10 dB below rated sensitivity, in full space, with no external equalization). Nominal impedance shall be 16 Ohms. Rated power capacity shall be at least 75 Watts continuous power and 300 Watts peak power, defined as 6 dB above a test signal of filtered random noise.

The system shall be protected against damage from occasional over-powering limiting the power to the network and transducers. The compression driver shall be capable of even coverage at a nominal 90° horizontal through 60° vertical distributed pattern.

The enclosure shall be constructed from prime-grade 12 mm plywood. The loudspeaker shall be equipped with a total of thirteen (13) suspension points. The grille shall be of heavy-duty steel backed with acoustically transparent foam. The external wiring shall be via either two 4-pin twist-lock or one 4-pin Euroblock connectors. The loudspeaker shall be 12.52 inches (318 mm) high by 8.78 inches (223 mm) wide by 8.98 inches (228 mm) deep weighing 14.3 pounds (6.5 kg). The finish shall be a paintable lightly textured black or white.

The ultra-compact loudspeaker shall be the Crest Audio CPL 6⁺.