

# CPL™ + Series

CPL™ 265B<sup>+</sup> - Passive Subwoofer

CREST  
AUDIO®



## Description

The Crest Audio CPL 265B<sup>+</sup> is an ultra-compact passive subwoofer designed to extend the performance of the CPL+ series loudspeaker systems down to 53 Hz. It is the ideal add on for music playback, public address and live performance reinforcement applications.

The CPL 265B<sup>+</sup> can be utilized for both permanent installations and portable live sound applications. Perfect for public address, and background audio reinforcement purposes typically required in houses of worship, clubs, bars/restaurants, retail outlets plus education and corporate meeting facilities or anywhere high quality audio distribution and a powerful low end is required.

The CPL 265B<sup>+</sup> is equipped with two premium 6.5 inch woofers having 1.2 inch voice coils. Impedance of the loudspeaker is 4 Ohms. Connectivity is made via either looping 4-pin twist-lock or 4-pin Euroblock connectors.

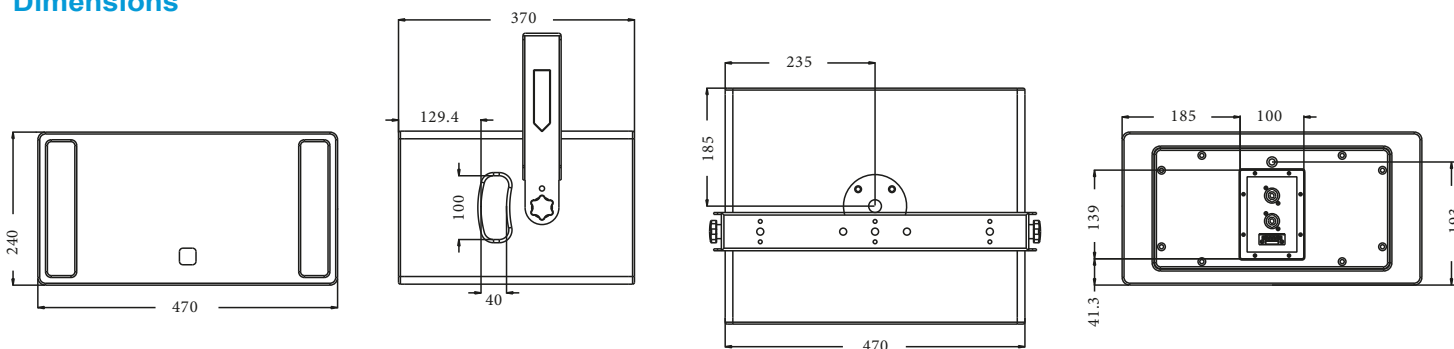
The CPL 265B<sup>+</sup> enclosure is built from prime-grade 15 mm plywood that offers sturdy mechanical and low resonant electro-acoustic characteristics together with a heavy-duty steel grille to ensure maximum protection of the internal components. The loudspeaker is equipped with a total of 3 threaded suspension points and a M20 threaded pole mount fitting offering multiple mounting options for various applications. Available in durable black and white finish.

## Features

- Ultra-compact passive subwoofer
- Two premium 6.5" woofer, 1.2" voice coil
- Continuous power handling: 100 Watts
- Nominal impedance: 4 Ohms
- Connectors: 2 x 4-pin twist-lock & 4-pin Euroblock
- 2+/- Loop Through
- M20 threaded pole mount fitting
- U-Bracket included
- Ergonomic handle on one side
- 15 mm Plywood construction
- Textured polyurea paint
- Available in Black and White

Configuration:	Subwoofer	U-Bracket:	Included
Power Continuous (Watts):	100	Black Finish:	Textured Polyurea Paint
Power Peak (Watts):	400	RAL #:	9004 Signal Black (Pantone: Black 6)
Sensitivity (1W/1m):	94 dB	White Finish:	Textured Polyurea Paint
Max SPL Peak:	120 dB	RAL #:	9003 Signal White (Pantone: 705)
LF Driver:	2 x 6.5" (165 mm) - Crest Audio CPL16505	Rubber Feet:	Yes (not mounted)
Woofers Voice Coil:	1.2" (30 mm)	Handles:	Yes (1 x Right)
Frequency Range (-10 dB):	53 Hz - 200 Hz	Loop Thru (2+/2-):	Yes
Frequency Response (±3 dB):	65 Hz - 173 Hz	Logo Position on Grille:	Bottom Center
Nominal Impedance:	4 Ohms	Logo Size:	25 x 25 mm
Input Connectors 1:	2 x 4-pin twist-lock (NL-4 style)	Grille Foam Backing:	Yes (acoustically transparent)
Input Connectors 2:	1 x 4-pin Euroblock	Grille Mesh Size (mm):	3 x 12
Pole Mount:	Yes (M20)	Net Weight:	25.3 lbs (11.5 kg)
Enclosure Material:	0.6" (15 mm) Plywood	Dimensions (HWD):	9.45" x 18.5" x 14.57" (240 x 470 x 370 mm)

### Dimensions



### Architect's & Engineer's Specifications

The loudspeaker shall be an ultra-compact passive subwoofer. Its transducers shall be two 6.5 inch (165 mm) low frequency drivers with 1.2 inch (30 mm) voice coil in a bass reflex enclosure.

Performance specifications of a typical production unit shall be: Measured sensitivity SPL at 1 m (3.3ft) with 2.0V input, shall be 94 dB-SPL. Usable frequency response shall extend from 53 Hz to 200 Hz (10 dB below rated sensitivity, in full space, with no external equalization). Nominal impedance shall be 4 Ohms. Rated power capacity shall be at least 100 Watts continuous power and 400 Watts peak power, defined as 6 dB above a test signal of filtered random noise.

The enclosure shall be constructed from prime-grade 15 mm plywood. The grilles shall be of heavy-duty steel. The loudspeaker shall be equipped with a total of three (3) suspension points and shall be fitted with a M20 threaded pole-mount plate on the top, and a handle on one side. The external wiring shall be via either two 4-pin twist-lock or one 4-pin Euroblock connectors. The loudspeaker shall be 9.45 inches (240 mm) high by 18.5 inches (470 mm) wide by 14.57 inches (370 mm) deep weighing 25.3 pounds (11.5 kg). The finish shall be a paintable lightly textured black or white.

The ultra-compact subwoofer shall be the Crest Audio CPL 265B<sup>+</sup> with included U-Bracket.