

Versamount 70

Installation Instructions

PEAVEY®

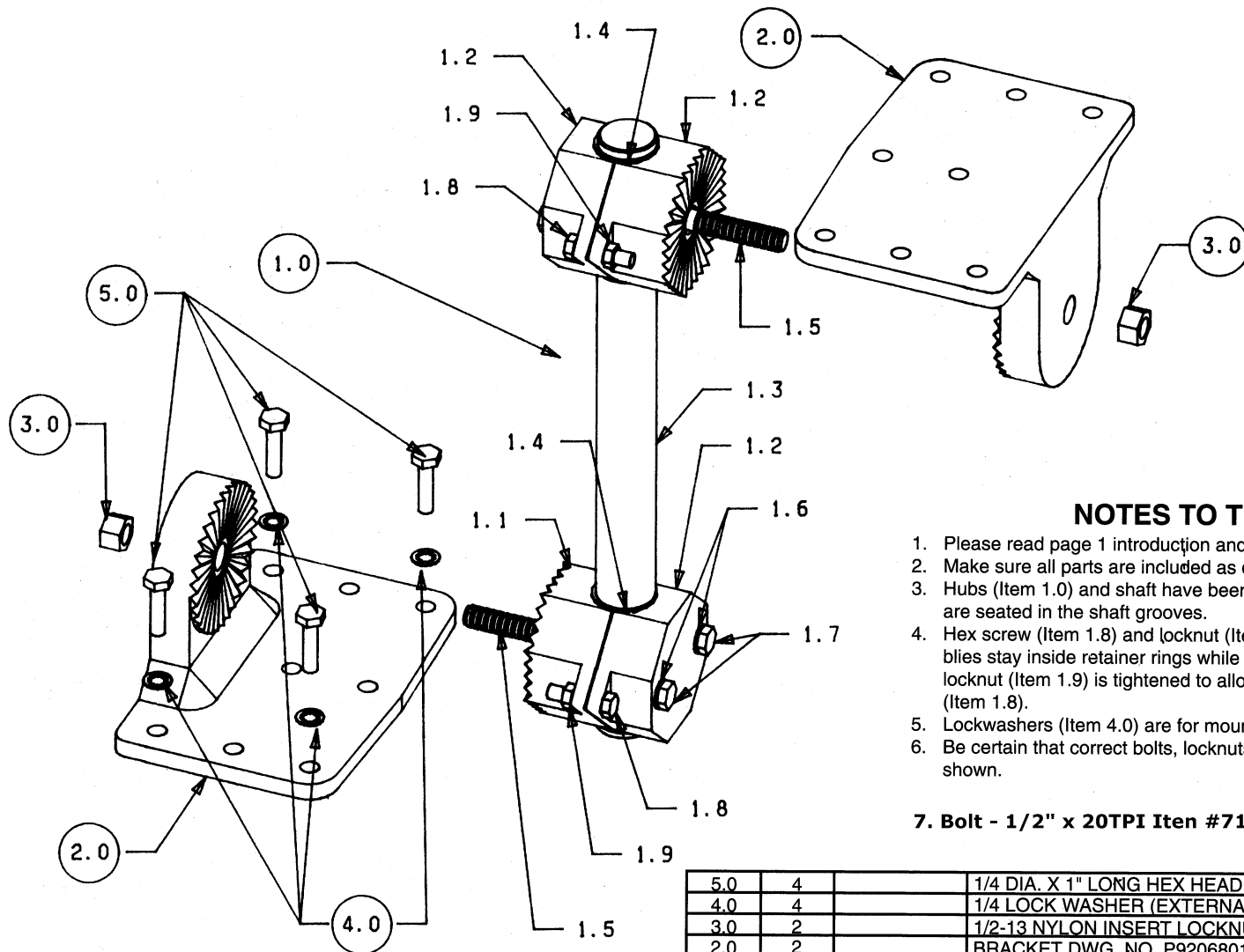
INTRODUCTION

The Peavey model Versamount™ 70 ceiling mount system is designed to suspend Peavey loudspeaker systems (PR™ 1000, PR™ 1000T, PR™ 1003, PR™ 1003T, Stadia™, Stadia™ II). Its unique design will allow a wide variety of positioning of the aforementioned loudspeaker systems. The model Versamount 70 provides complete flexible "aiming." It is constructed of die cast aluminum and stainless steel. The Versamount 70 will provide reliable performance in a small, unobtrusive package.

WARNING: Read this section carefully prior to installation of ceiling or wall mount system. Improper mounting could result in personal injury and/or property damage from a falling loudspeaker.

Proper mounting of the upper bracket section will depend on physical characteristics of the surface the bracket is to be attached to (i.e., dry wall, concrete block, etc.) The surface and mounting hardware should always be capable of supporting a load of at least 5 times the combined weight of the mounting bracket and speaker assembly.

The Peavey Versmount 70 bracket is rated for a maximum capacity of 70 lbs. (31.8 kilograms). A certified structural engineer experienced in suspending items should be consulted prior to installation. All associated rigging and hardware are the responsibility of others.



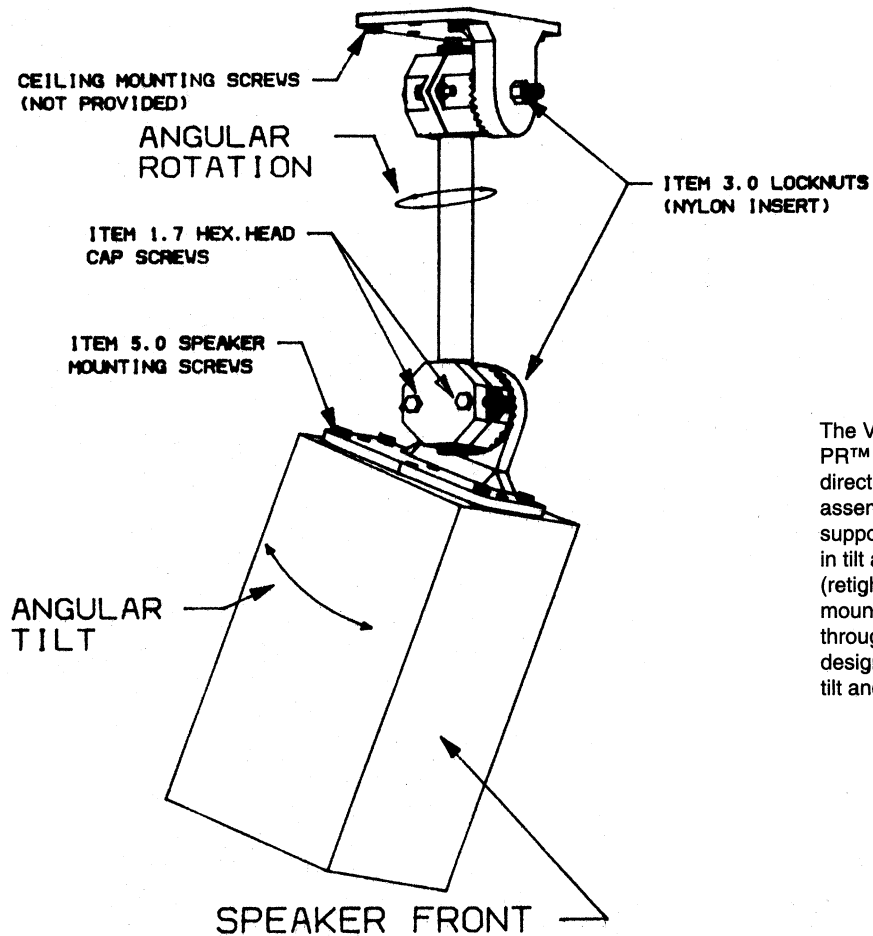
NOTES TO THE CUSTOMER:

1. Please read page 1 introduction and warning notice.
2. Make sure all parts are included as described in parts list. Do not use substitutes.
3. Hubs (Item 1.0) and shaft have been preassembled. Make sure the retainer rings are seated in the shaft grooves.
4. Hex screw (Item 1.8) and locknut (Item 1.9) assure that the shaft hub subassemblies stay inside retainer rings while adjustments are made. Make certain that locknut (Item 1.9) is tightened to allow no more than 1/32" end play of hex screw (Item 1.8).
5. Lockwashers (Item 4.0) are for mounting bracket (Item 2.0) to speaker only.
6. Be certain that correct bolts, locknuts, and lockwashers are used in locations shown.

7. Bolt - 1/2" x 20TPI Item #71500832

5.0	4		1/4 DIA. X 1" LONG HEX HEAD BOLT
4.0	4		1/4 LOCK WASHER (EXTERNAL TEETH)
3.0	2		1/2-13 NYLON INSERT LOCKNUT
2.0	2		BRACKET DWG. NO. P9206801C SHT 2
1.9	4		10-32 NYLON INSERT LOCKNUT
1.8	4		10-32 X 1.0 HEX HEAD SCREW
1.7	4		5/16-18X1 1/2 HEX. CAP SCREW
1.6	4		5/16 EXTERNAL TOOTH LOCK WASHER
1.5	2		1/2-13X1 3/4 HEX. CAP BOLT
1.4	4		RETAINER RING. ANDERTON #1400-100
1.3	1		SHAFT DWG. NO. P9206801C SHT 5
1.2	2		CLAMP DWG. NO. P9206801C SHT 4
1.1	2		HUB DWG. NO. P9206801C SHT 3
1.0	1		SUBASSEMBLY ITEMS 1.1 THRU 1.9 (PREASSEMBLED)
ITEM	QTY.	PART. NO.	DESCRIPTION

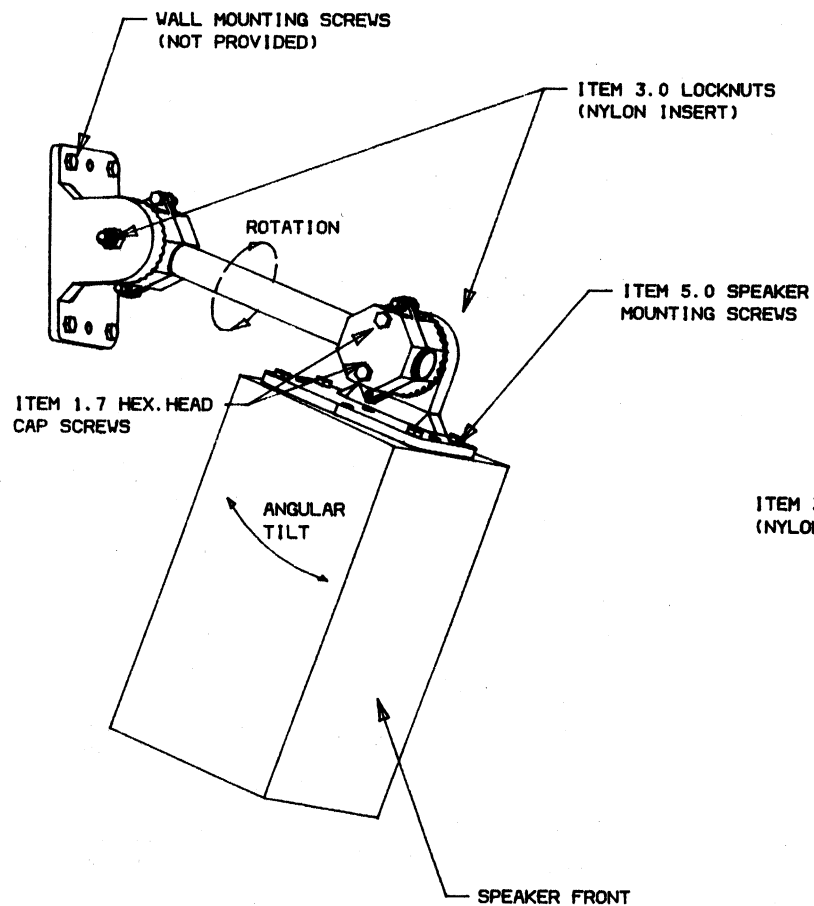
TYPICAL CEILING MOUNTED SPEAKER



HOW THE MOUNTING BRACKET ASSEMBLY WORKS:

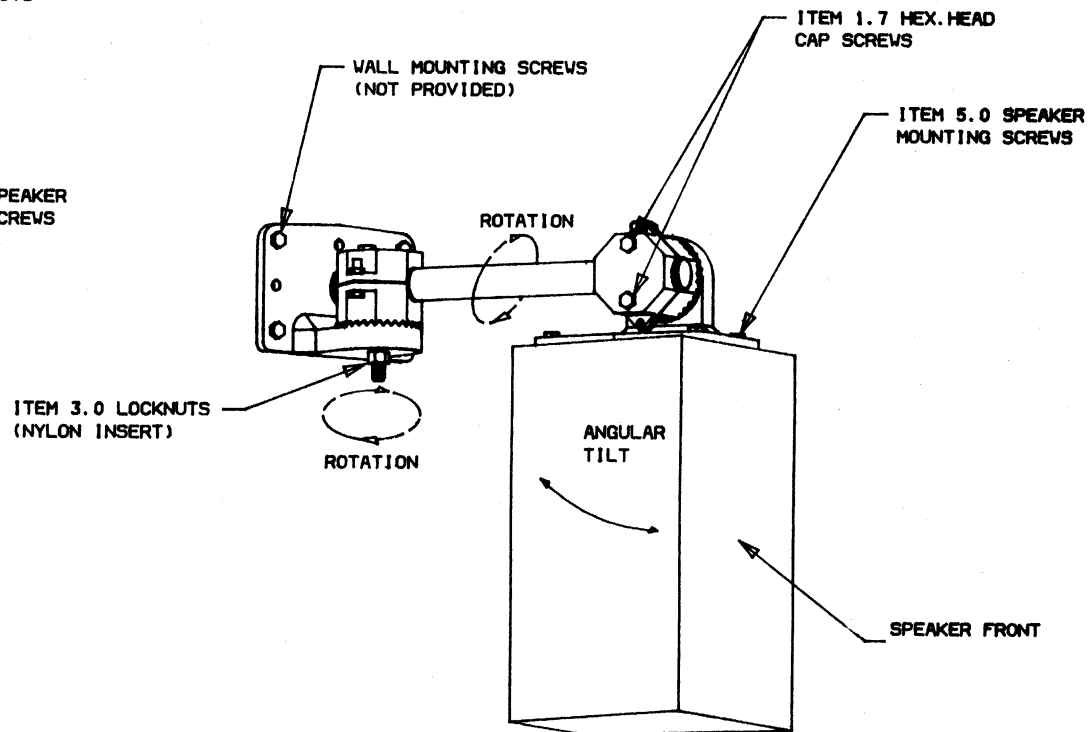
The VM-70 bracket assembly will support Peavey speaker models PR™ 1000, PR™ 1000T, PR™ 1003, PR™ 1003T, Stadia™, and Stadia™ II from the ceiling or wall and direct the speaker in any practical direction. The bracket assembly consists of 2 identical mounting brackets (Item 2.0) and a hub shaft assembly (Item 1.0). One of the mounting brackets mounts to the speaker and the other one mounts to the supporting surface. The mating surfaces of the hub to the brackets have grooves that align and prevent slip in tilt adjustment of the speaker. The speaker may be tilted front to back or side to side by loosening (retighten) locknuts (Item 3.0). The speaker may be rotated by loosening (retighten) screws (Item 1.7). The mounting brackets (Item 2.0) have a center hole that speaker wires from ceiling or wall may be routed through to obscure wires. We suggest that you lightly assemble the VM-70 mounting bracket assembly to a designated Peavey speaker as shown in the illustration. Loosen (Item 3.0) locknuts and (Item 1.7) screws to tilt and rotate the speaker. This will help you to visualize the installation and choose a location.

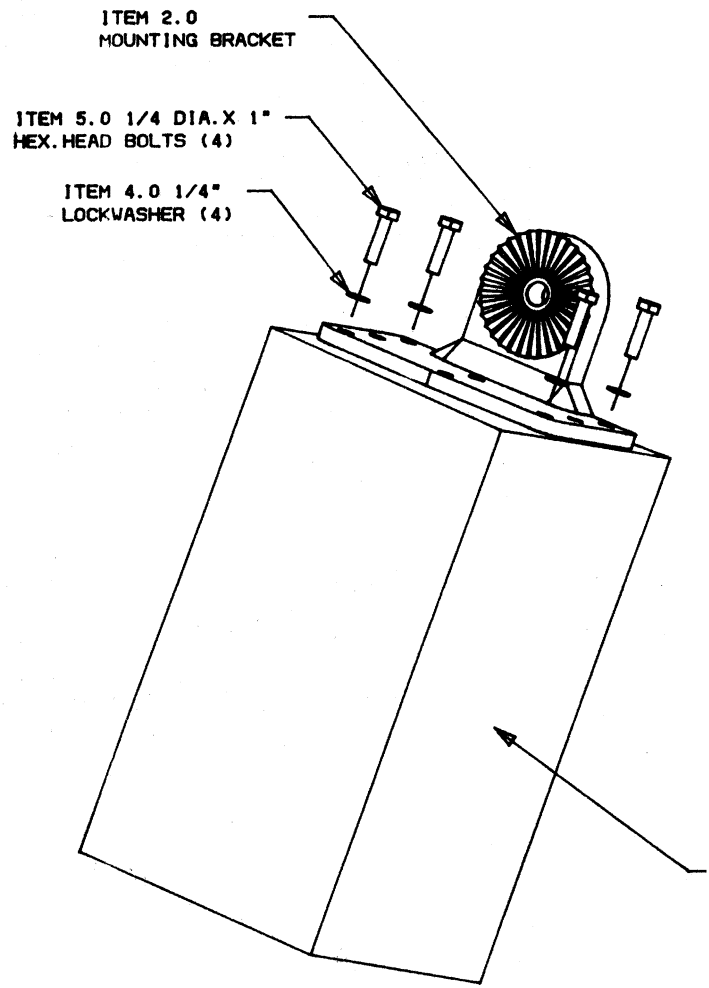
TYPICAL WALL MOUNTED SPEAKER



TYPICAL WALL MOUNTED SPEAKER

(MOUNTING SURFACE FOR BRACKET MOUNTED AS SHOWN IN THIS ILLUSTRATION MUST BE WIDE ENOUGH TO UTILIZE ALL MOUNTING HOLES.)

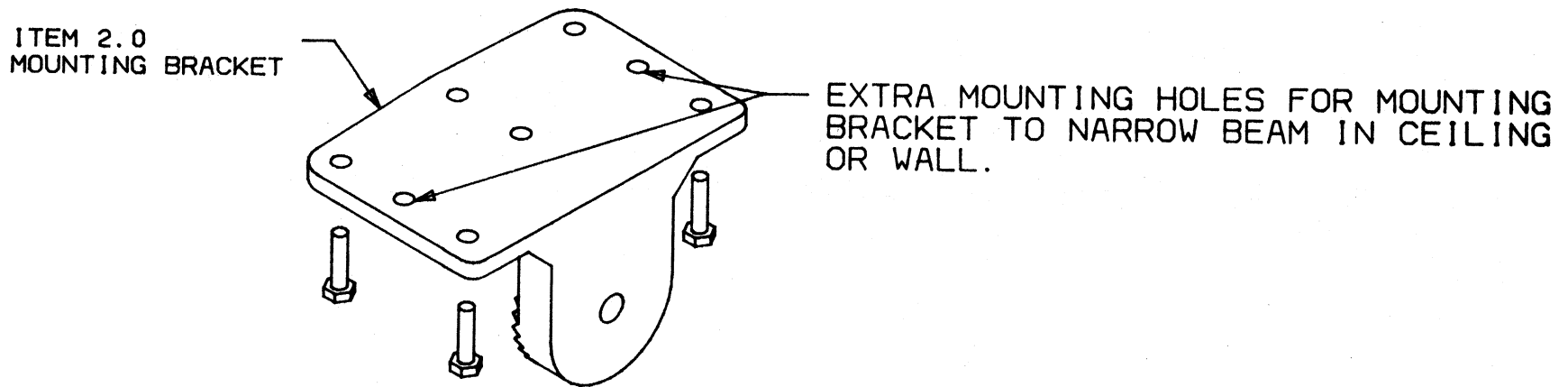




INSTALLATION STEP 1

Align the 4 holes in one of mounting brackets (Item 2.0) with the four pretapped mounting holes in the Peavey speaker. Fasten the mounting bracket to the speaker with four (Item 5.0) 1/4" x 1" long hex head bolts (Item 5.0) and four 1/4" external tooth lockwashers (Item 4.0). Do not use substitute bolts and lockwashers.

**INSTALLATION STEP 1
SECURING MOUNTING BRACKET (ITEM 2.0) TO CEILING OR WALL**



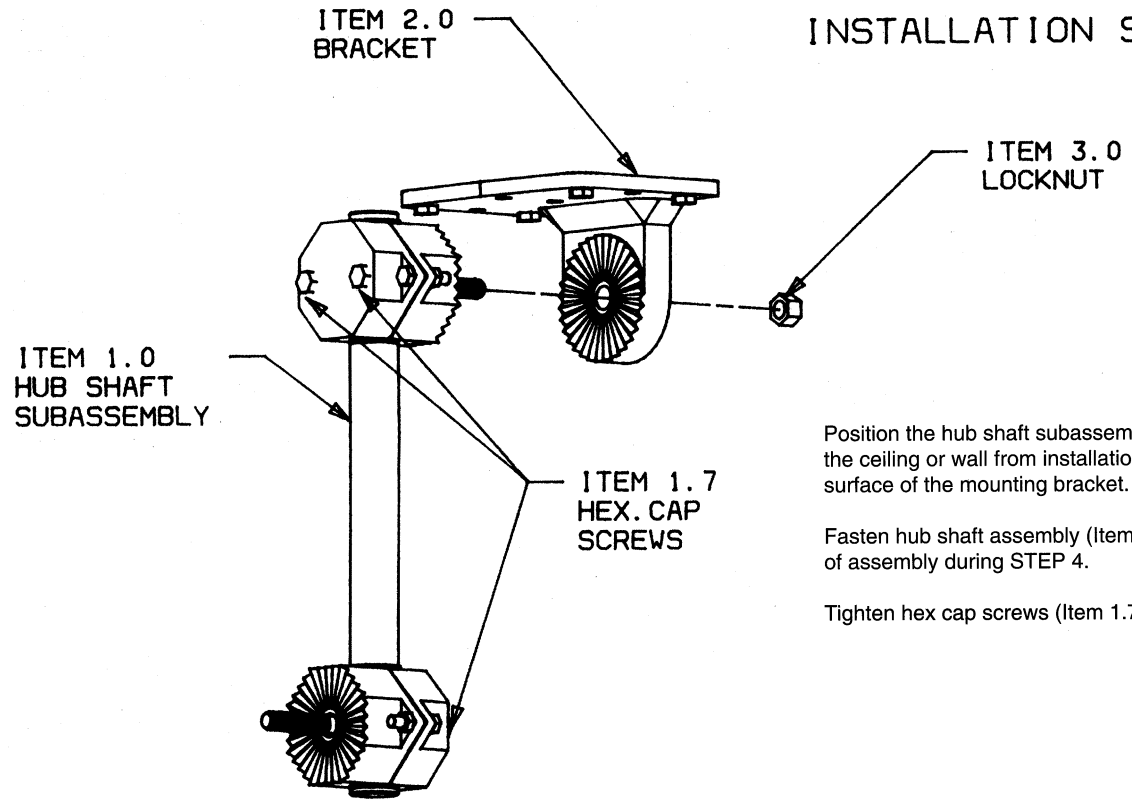
IMPORTANT: Please reread owners manual warning notice. Due to the wide variety of surfaces the Versamount™ 70 can be attached to, Peavey does not supply fastening hardware for this portion of the installation procedure.

Position mounting bracket (Item 2.0) on the ceiling or wall location you have chosen, and with a pencil lightly mark the hole locations. The center hole in the mounting bracket may also be marked and drilled for wires or as a mounting hole.

Be sure the mounting location for the mounting bracket is structurally adequate to support the load. Be sure you are using appropriate fasteners.

Using appropriate fastening hardware and surface preparation techniques, secure (Item 2.0) mounting bracket to ceiling or wall.

INSTALLATION STEP 3

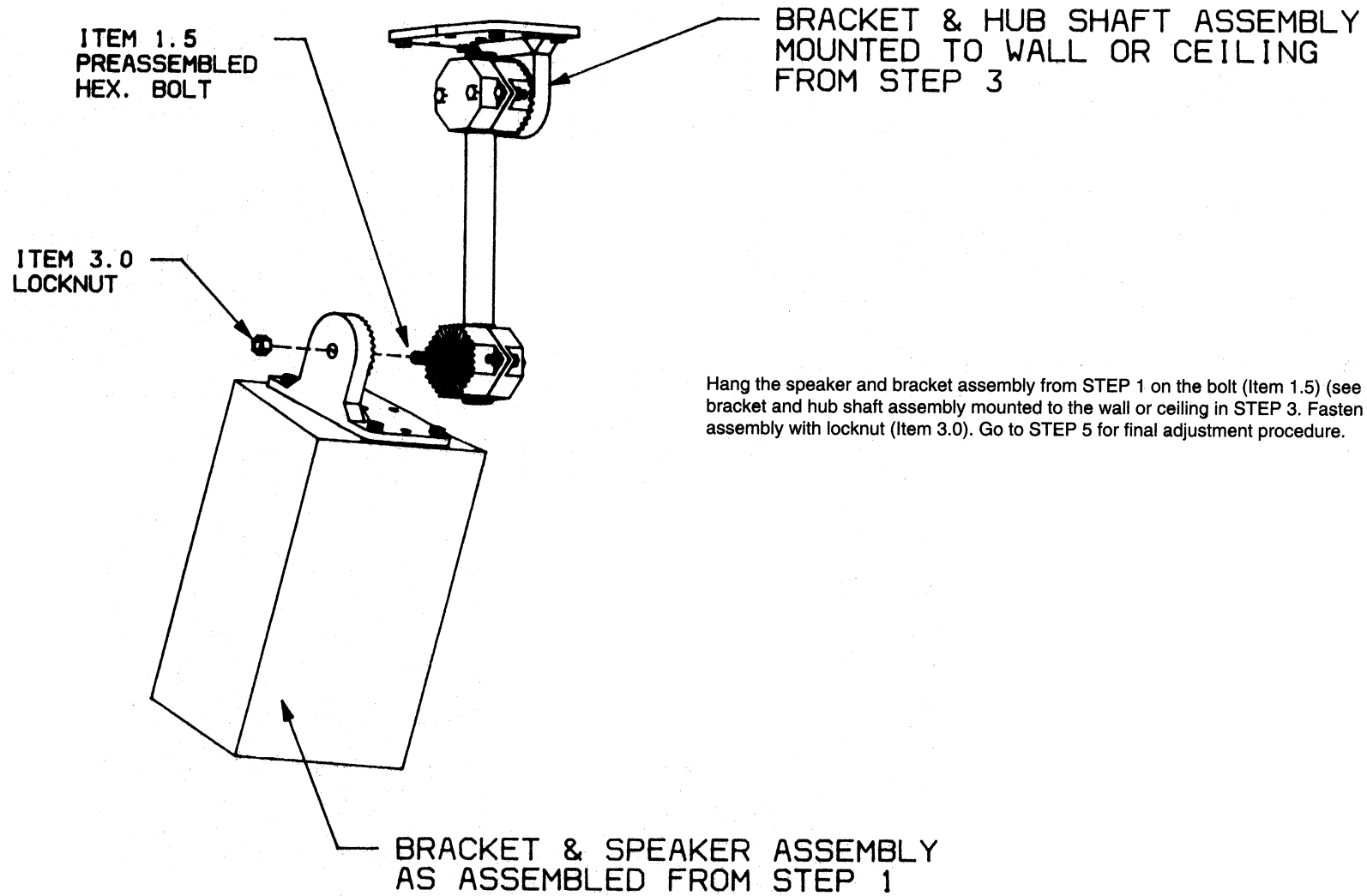


Position the hub shaft subassembly (Item 1.0) to mounting bracket (Item 2.0) which has been fastened to the ceiling or wall from installation STEP 2. The grooved surface of the hub will align with the grooved surface of the mounting bracket.

Fasten hub shaft assembly (Item 1.0) with locknut (Item 3.0). Tighten locknut securely to prevent movement of assembly during STEP 4.

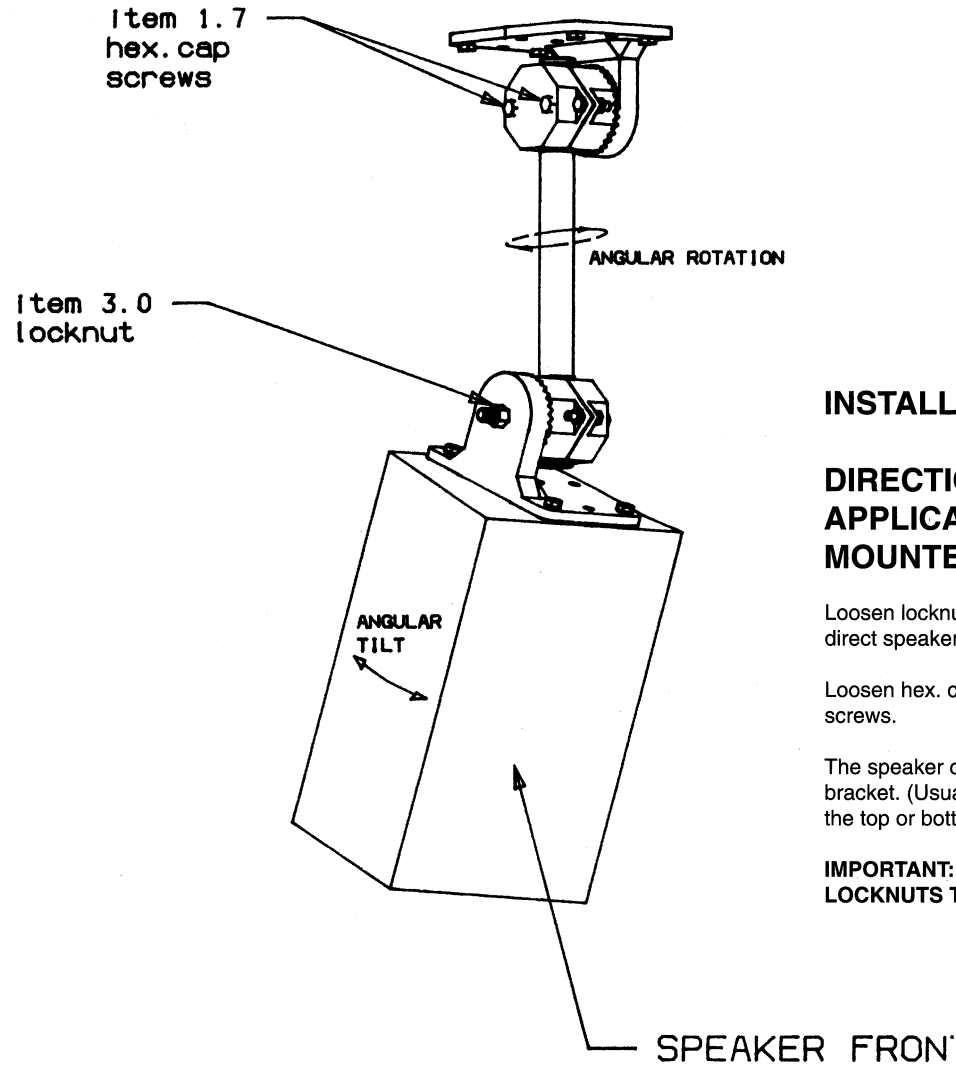
Tighten hex cap screws (Item 1.7) on both hubs enough to prevent assembly from rotating during STEP 4.

INSTALLATION STEP 4



Hang the speaker and bracket assembly from STEP 1 on the bolt (Item 1.5) (see illustration) out of the bracket and hub shaft assembly mounted to the wall or ceiling in STEP 3. Fasten the bracket and speaker assembly with locknut (Item 3.0). Go to STEP 5 for final adjustment procedure.

TYPICAL CEILING MOUNTED SPEAKER



INSTALLATION STEP 5

DIRECTION OF SPEAKER ADJUSTMENT APPLICABLE TO WALL OR CEILING MOUNTED BRACKET.

Loosen locknut (Item 3.0) (on speaker mounted bracket) and adjust front to back angular tilt as required to direct speaker. Retighten locknut.

Loosen hex. cap screws (Item 1.7) on either bracket and rotate speaker to required direction. Retighten screws.

The speaker can be tilted from side to side by loosening locknut (Item 3.0) in wall or ceiling mounted bracket. (Usually not necessary.) For precise direction of speaker, try taping a spotlight or stong flashlight to the top or bottom of the speaker.

IMPORTANT: ON COMPLETION OF SPEAKER DIRECTION ADJUSTMENT, CHECK ALL SCREWS AND LOCKNUTS TO BE SECURELY TIGHTENED. DO NOT OVERTIGHTEN.



Features and specifications subject to change without notice.