



# **VERSAMOUNT™**

## ***Installation Instructions***



## INTRODUCTION

The Peavey Model Versamount™ 35 ceiling mount system is designed to suspend Peavey loudspeaker systems (Impulse™ I, Impulse™ III, PR™-600, PR™-603, PR™-603T, PR605, PR605T only). Its unique design will allow a wide variety of positioning of the aforementioned loudspeaker systems. The Model Versamount 35 provides a completely flexible “aiming”. It is constructed of die-cast aluminum and stainless steel. The Versamount 35 will provide reliable performance in a small unobtrusive package.

## WARNING

**WARNING — READ THIS SECTION CAREFULLY PRIOR TO INSTALLATION OF CEILING MOUNT SYSTEM. IMPROPER MOUNTING COULD RESULT IN PERSONAL INJURY AND/OR PROPERTY DAMAGE FROM A FALLING LOUDSPEAKER.**

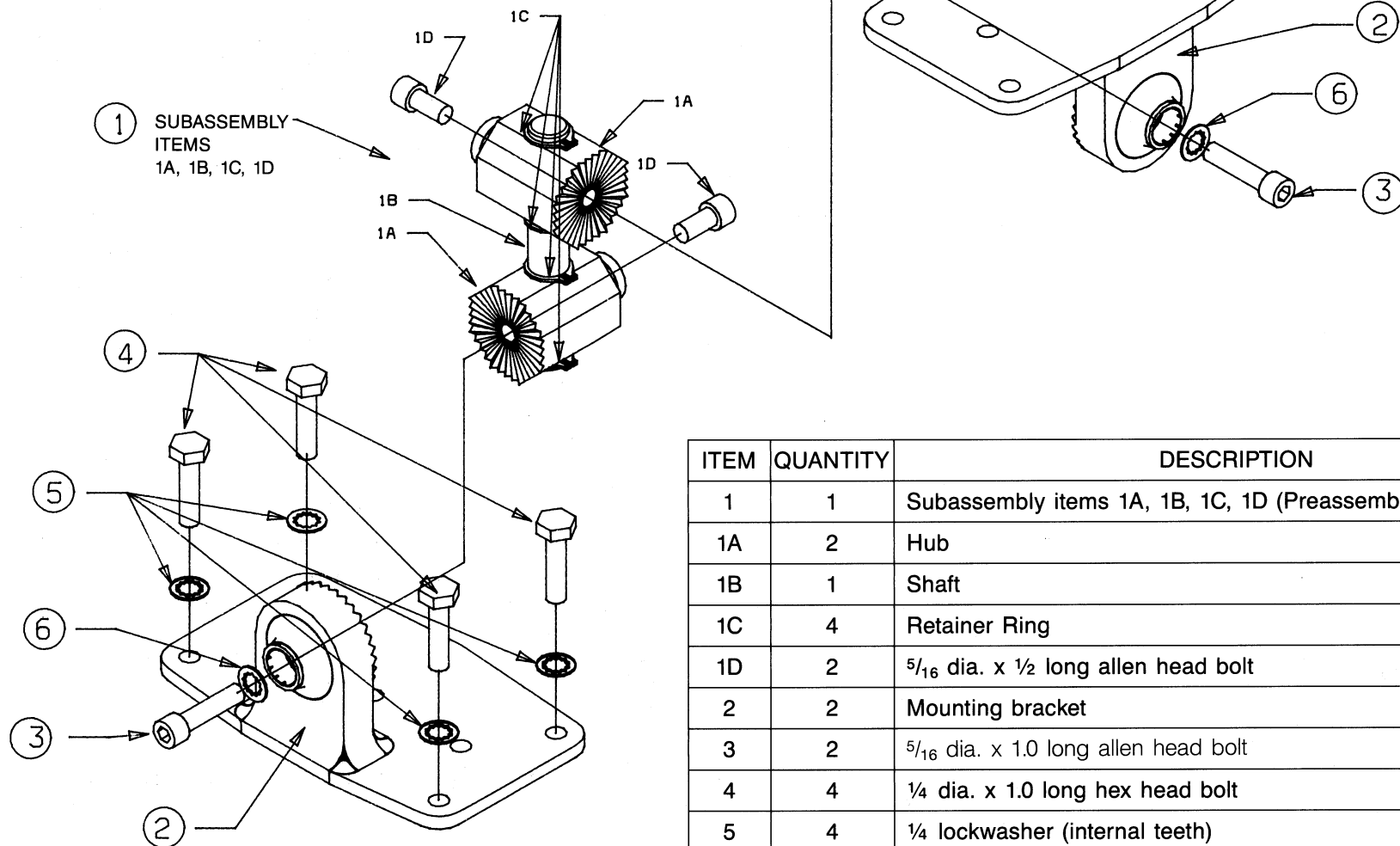
Proper mounting of the upper bracket section will depend on physical characteristics of the surface the bracket is to be attached to (i.e. dry wall, concrete block, etc.) The surface and mounting hardware should always be capable of supporting a load of at least 5 times the combined weight of the mounting bracket and speaker assembly.

The Peavey Versamount 35 bracket is rated for maximum capacity of 35 lbs. (15.9 kilograms). A certified structural engineer experienced in suspending items should be consulted prior to installation. All associated rigging and hardware is the responsibility of others.



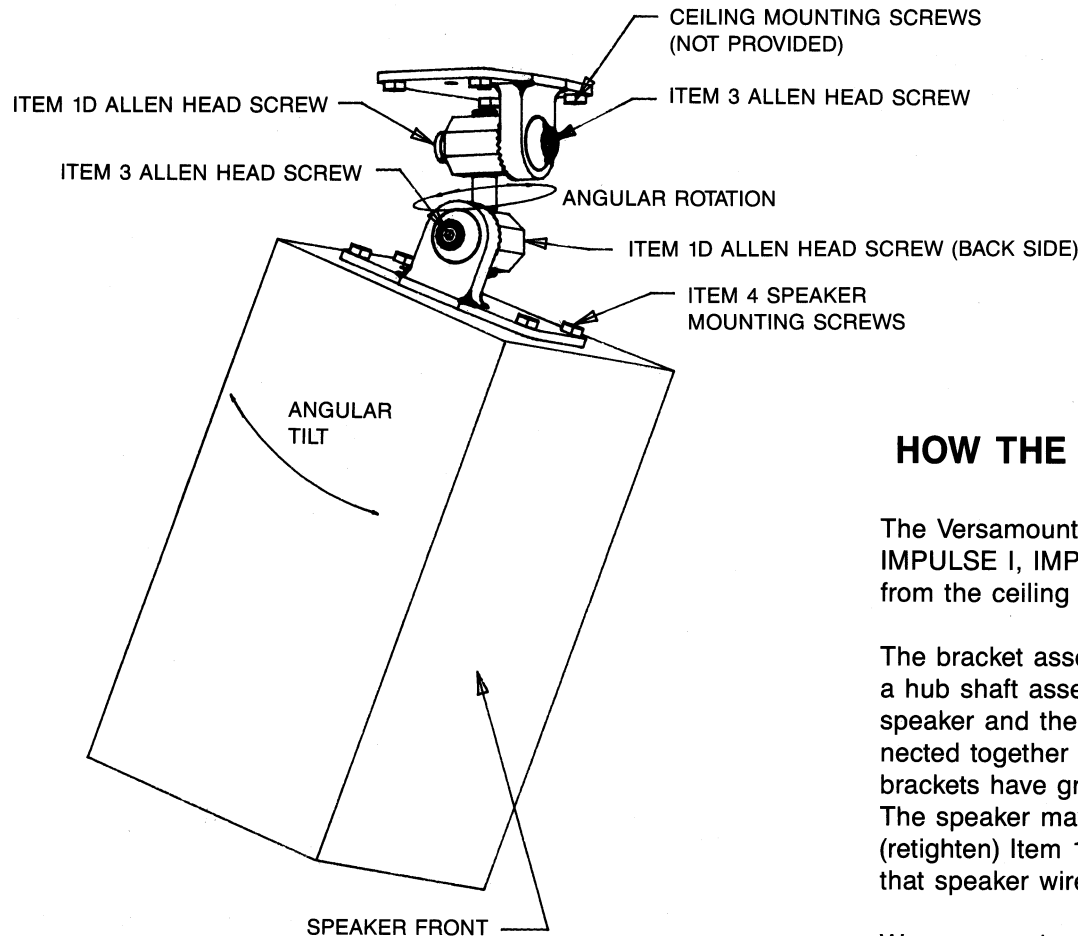
## NOTES TO CUSTOMER

1. Please read page 1 introduction and warning notice.
2. Make sure all the parts are there as described in parts list.  
Do not use substitutions.
3. Item 1 hubs and shaft have been preassembled. Make sure the retainer rings are seated in the shaft grooves.
4. (Item 4) screws are for mounting (Item 2) bracket to speaker only.
5. Be certain that correct bolts and lockwashers are used in locations shown.



ITEM	QUANTITY	DESCRIPTION
1	1	Subassembly items 1A, 1B, 1C, 1D (Preassembled)
1A	2	Hub
1B	1	Shaft
1C	4	Retainer Ring
1D	2	$\frac{5}{16}$ dia. x $\frac{1}{2}$ long allen head bolt
2	2	Mounting bracket
3	2	$\frac{5}{16}$ dia. x 1.0 long allen head bolt
4	4	$\frac{1}{4}$ dia. x 1.0 long hex head bolt
5	4	$\frac{1}{4}$ lockwasher (internal teeth)
6	2	$\frac{5}{16}$ lockwasher (internal teeth)

## TYPICAL CEILING MOUNTED SPEAKER



### HOW THE MOUNTING BRACKET ASSEMBLY WORKS:

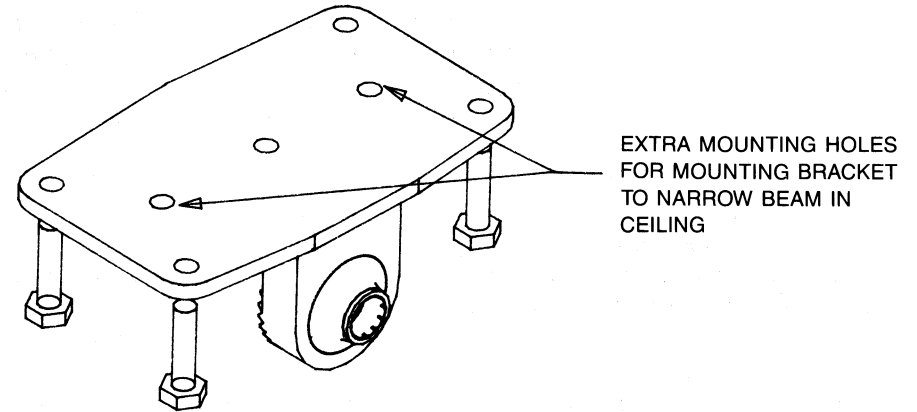
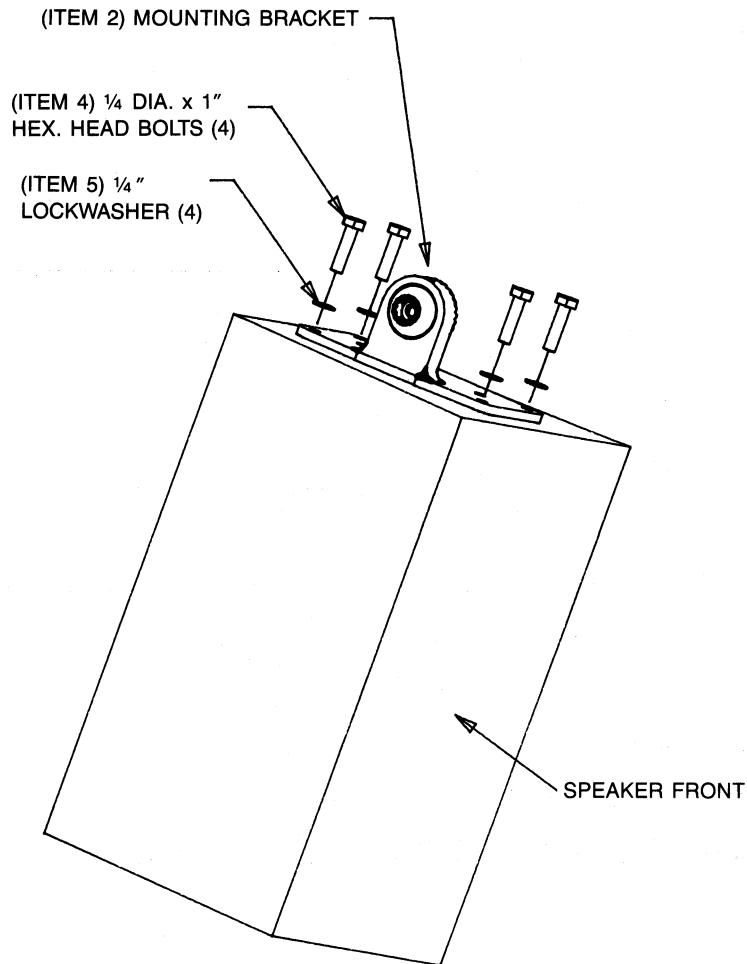
The Versamount 35 Bracket Assembly will support Peavey speaker models IMPULSE I, IMPULSE III, PR-600, PR-603, PR-603T, PR-605, and PR-605T from the ceiling and direct either speaker in any practical direction.

The bracket assembly consists of two identical mounting brackets (item 2) and a hub shaft assembly (item 1). One of the mounting brackets mounts to the speaker and the other one mounts to the ceiling. The two brackets are connected together with the hub shaft assembly. The mating surfaces of hub to brackets have grooves that align and prevent slip in tilt adjustment of speaker. The speaker may be tilted front to back or side to side by loosening (retighten) Item 1D screws. The mounting brackets (Item 2) have a center hole that speaker wires from ceiling may be routed through to obscure wires.

We suggest that you lightly assemble the Versamount 35 mounting bracket assembly to a designated Peavey speaker as shown in the illustration. Loosen the allen head screws to tilt and rotate the speaker. This will help you to visualize the installation and choose a location.

## INSTALLATION STEP 1

Align the 4 holes in one of (item 2) mounting brackets with the four pretapped mounting holes in the Peavey speaker. Fasten the mounting bracket to the speaker with four (item 4) 1/4" x 1" long hex head bolts and four (item 5) 1/4" internal tooth lockwashers. Do not use substitute bolts and lockwashers.



## INSTALLATION STEP 2

### SECURING (ITEM 2) MOUNTING BRACKET TO CEILING

**IMPORTANT: PLEASE REREAD WARNING NOTICE. DUE TO THE WIDE VARIETY OF SURFACES THE VERSAMOUNT™ 35 CAN BE ATTACHED TO. PEAVEY DOES NOT SUPPLY FASTENING HARDWARE FOR THIS PORTION OF THE INSTALLATION PROCEDURE.**

Position (item 2) mounting bracket on the ceiling location you have chosen, and with a pencil lightly mark the hole locations. The center hole in the mounting bracket may also be marked and drilled for wires from ceiling or as a mounting hole.

Be sure the mounting location for the mounting bracket is structurally adequate to support the load. Be sure you are using appropriate fasteners.

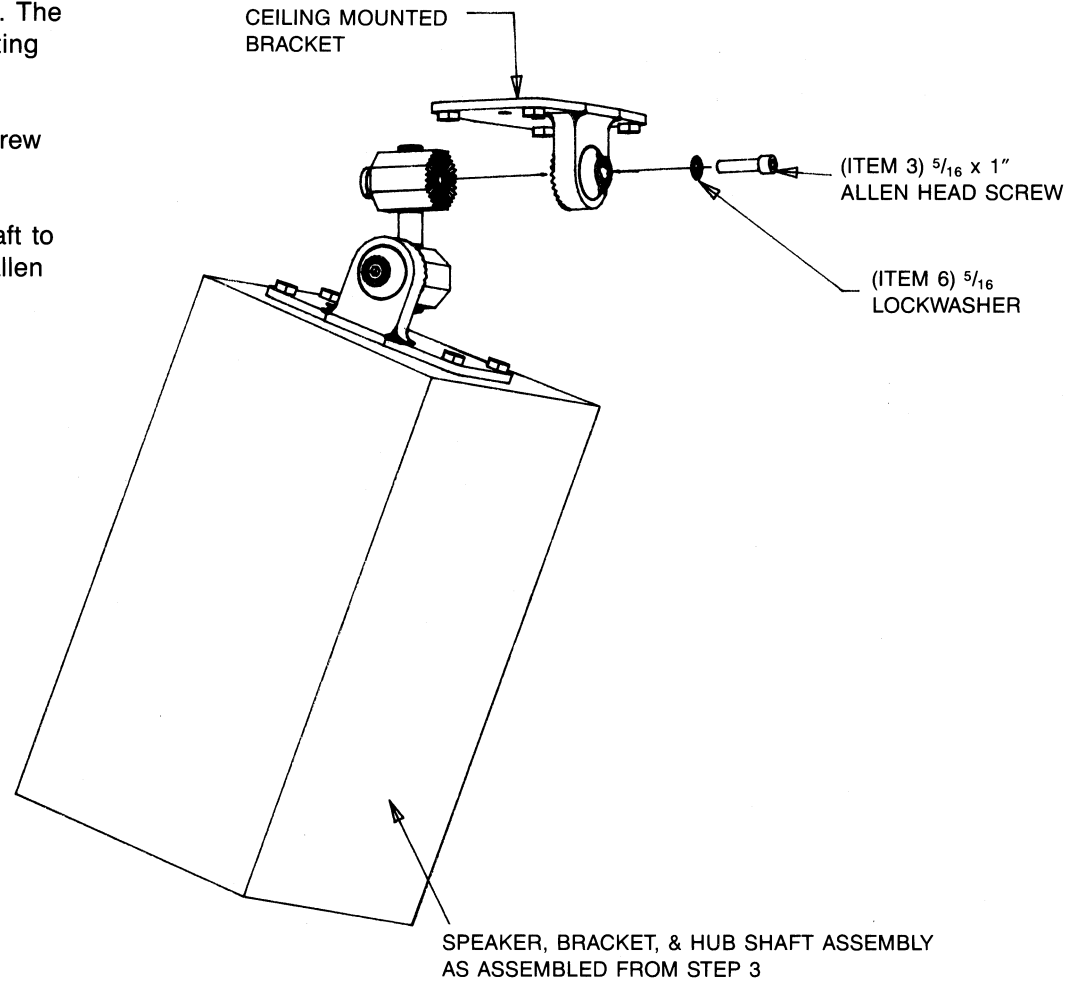
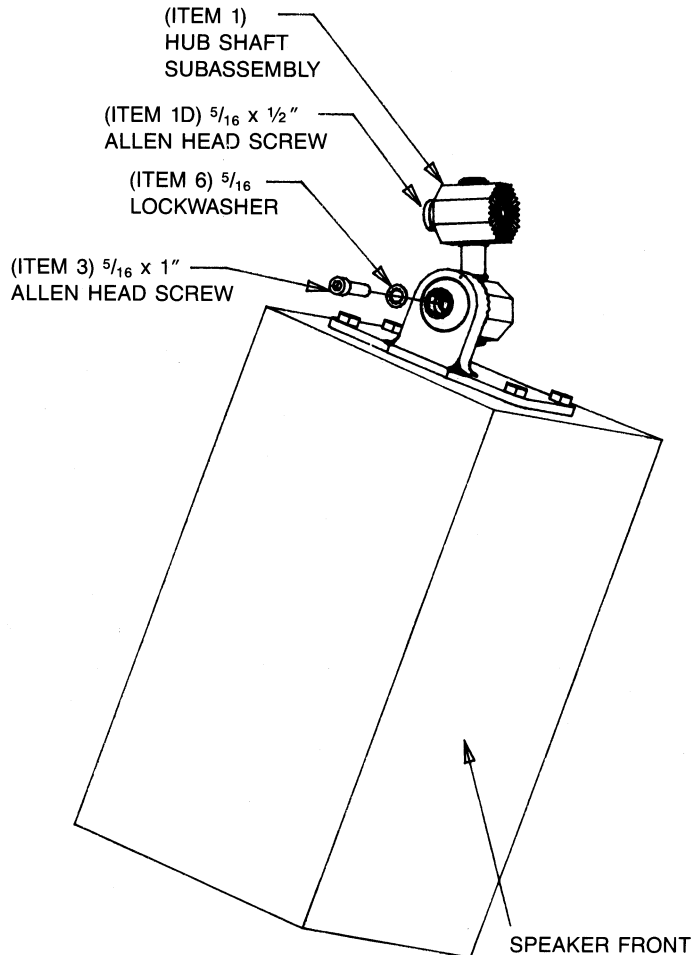
Using appropriate fastening hardware and surface preparation techniques, secure (item 2) mounting bracket to ceiling.

### INSTALLATION STEP 3

Position the hub shaft subassembly (item 1) as shown in the illustration. The grooved surface of hub will align with the grooved surface of the mounting bracket.

Fasten hub shaft assembly (item 1) with (item 3)  $\frac{5}{16}$  x 1" allen head screw and (item 6)  $\frac{5}{16}$  lockwasher.

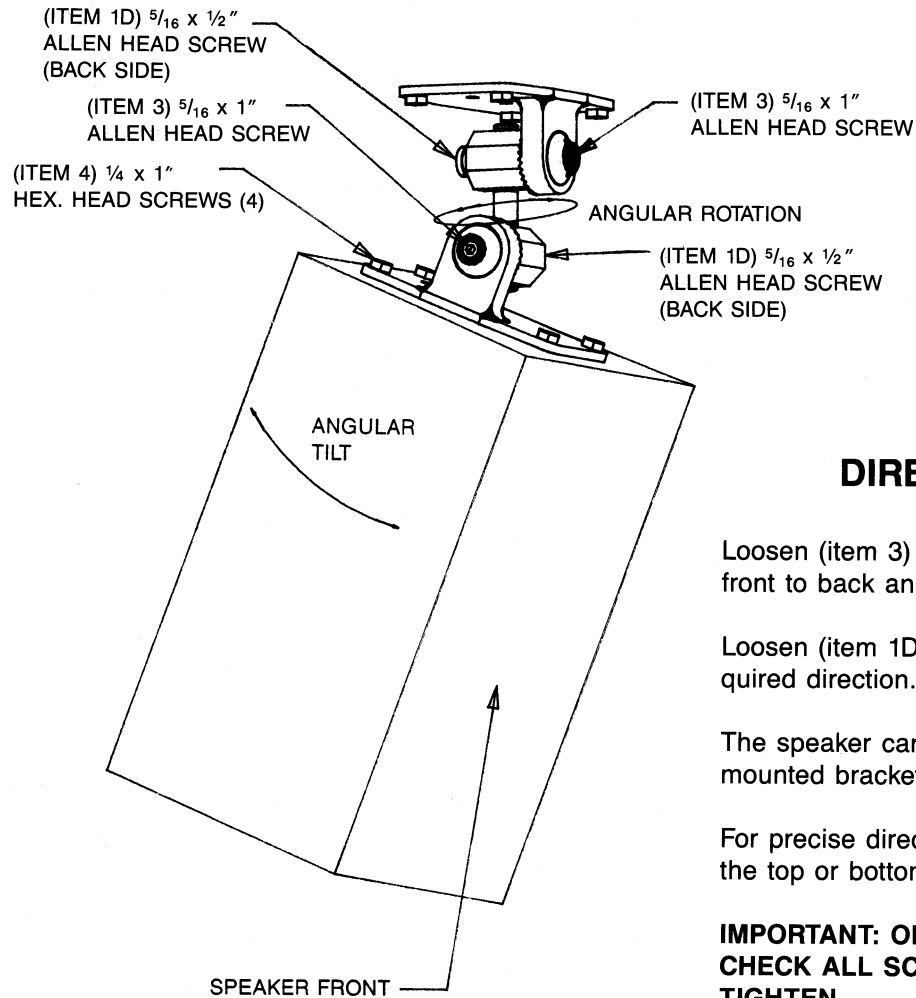
Loosen (item 1D) allen head screw and rotate the upper hub on the shaft to the approximate location shown in the illustration. Retighten (item 1D) allen head screw.



### INSTALLATION STEP 4

Align the grooved surface of hub from Step 3 assembly with the grooved surface of ceiling mounted bracket as shown in the illustration. Fasten with (item 3)  $\frac{5}{16}$  x 1" long allen head screw and (item 6)  $\frac{5}{16}$  lockwasher.

## TYPICAL CEILING MOUNTED SPEAKER



## INSTALLATION STEP 5

### DIRECTION OF SPEAKER ADJUSTMENT

Loosen (item 3) allen head screw (in speaker mounted bracket) and adjust front to back angular tilt as required to direct speaker. Retighten screw.

Loosen (item 1D) allen head screw in either location and rotate speaker to required direction. Retighten screw.

The speaker can be tilted from side to side by loosening (item 3) in ceiling mounted bracket. (usually not necessary)

For precise directing of speaker try taping a spotlight or strong flashlight to the top or bottom of speaker.

**IMPORTANT: ON COMPLETION OF SPEAKER DIRECTION ADJUSTMENT, CHECK ALL SCREWS TO BE SECURELY TIGHTENED. DO NOT OVER TIGHTEN.**



Features and specifications subject to change without notice.



**Peavey Electronics Corporation** 711 A Street / Meridian, MS 39301 / U.S.A. / (601) 483-5365 / Fax 486-1278

1993

#80301581

Printed in U.S.A. 8/95