



# PHR630II Ceiling Speaker



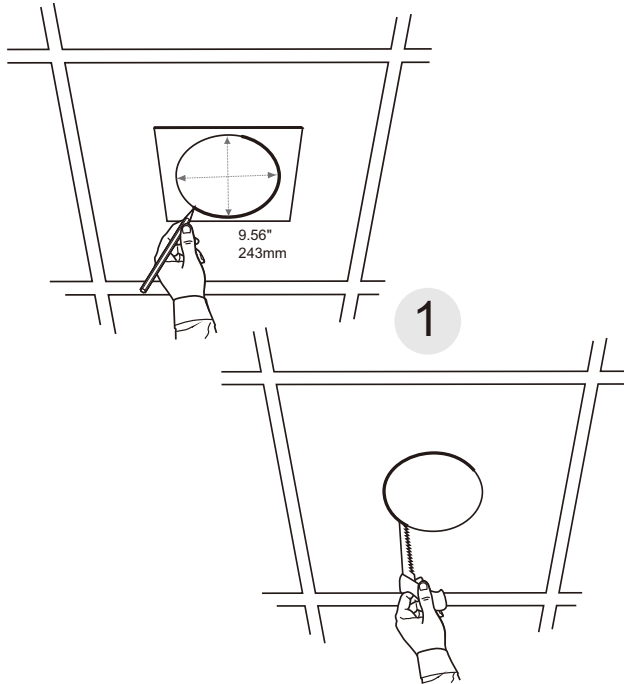
---

Operating  
Manual

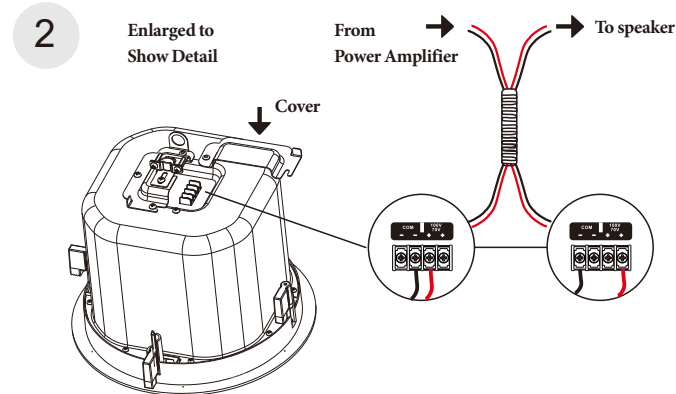
**PEAVEY**  
PHR630II  
Ceiling Speaker

## Frame Construction Ceiling Installation

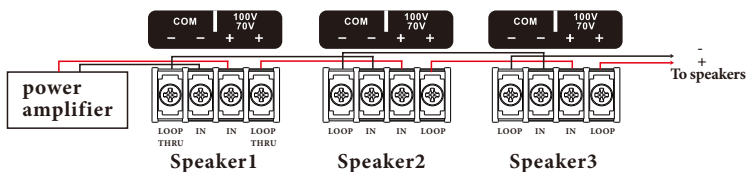
**1**  
Take the cutout template from the packaging box and punch out along the larger perforated circle. Place the cutout template against the bottom of the ceiling and trace the inside of it. Carefully cut out the ceiling material along the circle.



**2**  
Remove the top cover to contact the 4-position screw-terminal barrier strip on the back of the speaker. Connect the speaker wire to the 4-position screw-terminal barrier strip. Install the catheter and secure the connection.

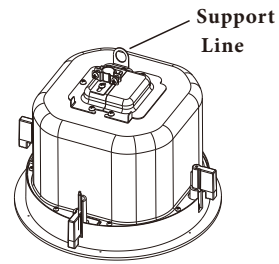


**3**  
Replace the top cover and tighten the screws. connector a secondary support line from the seismic tab to a secure support point.



Parallel Hookup Wiring Diagram

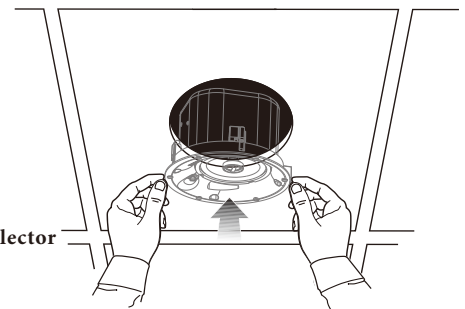
**3**



**4**

Remove the grille and set the rotary tap selector switch. insert the speaker through the bottom of the hole in the ceiling.

**4**

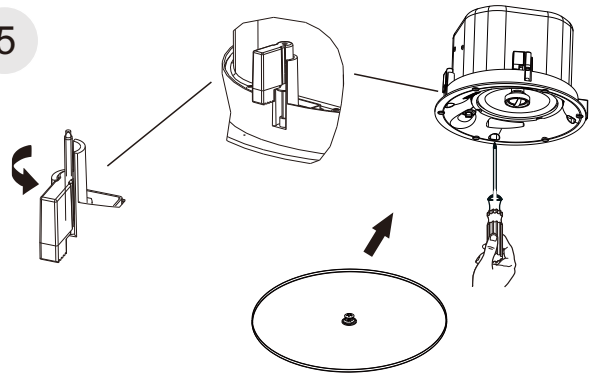


**5**

Loosen the four screws on the front baffle (counter clockwise) 1/2 turn. Then tighten the screws (clockwise) until the dog legs clamp the speaker to the ceiling. Then install the speaker grille.

**CAUTION** Do not over tighten screws.

**5**



### PEAVEY PHR630II Ceiling Speaker Specifications

Frequency Response .....	65Hz - 19.6kHz, -10dB
Power Handling .....	50W @8Ω
Nominal Sensitivity.....	88dB ±3dB ,1m,1W
Transformer Taps.....	30W, 15W, 7.5W, 3.75W, 1.9W, (100V)70V capable
Component.....	6" woofer, PP cone and rubber surround 0.875" soft dome tweeter
Crossover Frequency.....	4kHz
Recommended filter type and point:	24 dB/oct.
Linkwitz-Riley at 80 Hz.	
Outside Dimensions.....	275mm x 199mm
Cutout Diameter.....	243mm
Weight.....	2.94kg/6.5 lbs

**FEWLEY**  
**PHR630II**  
**Ceiling Speaker**

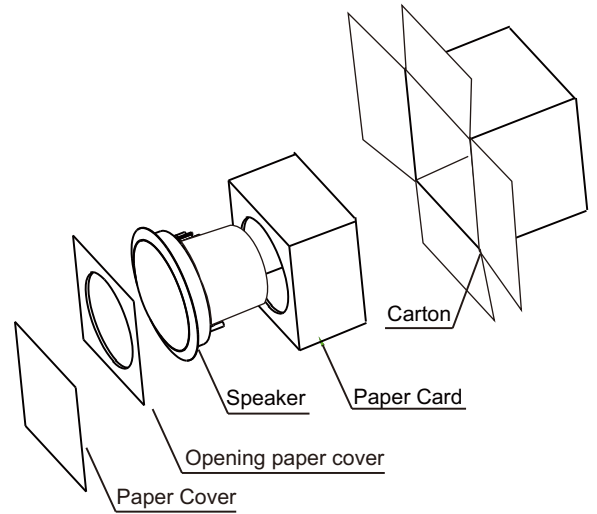
The PHR630II tweeter can be aimed toward a desired listening area, so the clarity of the announcements or music can be improved. Carefully but firmly grasp the tweeter flange and aim the tweeter in the desired angle.

**DO NOT APPLY EXCESSIVE FORCE, OR THE TWEETER MOUNTING POST MIGHT GET DAMAGED.**

**FEATURES:**

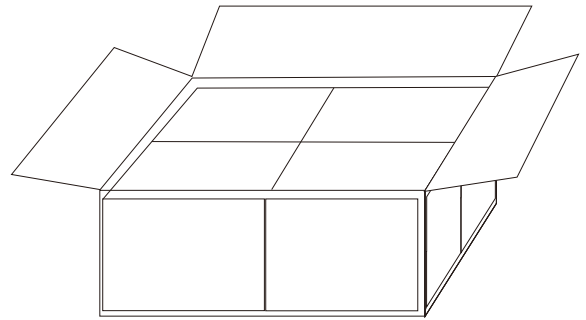
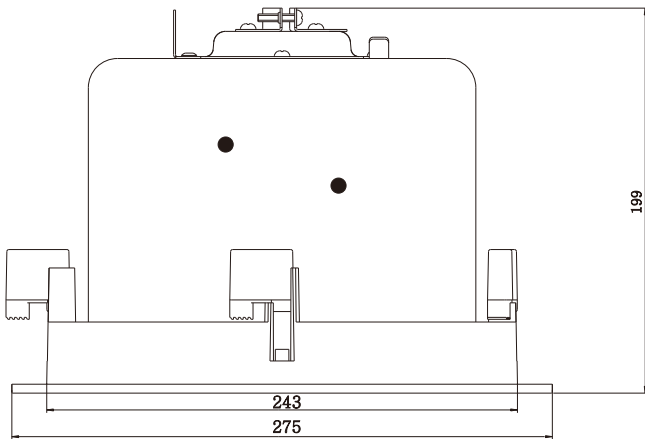
- Ultrathin fireproof cover design.
- Magnetic suction type grille, easy to disassemble.
- Integrated design used in various places.
- Wide dynamic range can keep in large volume output without distortion.
- The logo can rotate 360 degrees.
- With steel fire dome.

**PACKAGING:**



**Product size diagram:**

Unit: mm



An carton boxed 4 units



[www.peavey.com](http://www.peavey.com)

Warranty registration and information for U.S. customers available online at  
[www.peavey.com/warranty](http://www.peavey.com/warranty)  
or use the QR tag below



Features and specifications subject to change without notice.

Peavey Electronics Corporation 5022 Hartley Peavey Drive Meridian, MS39305 (601)483-5365 FAX(601) 486-1278



Logo referenced in Directive 2002/96/EC Annex IV  
(OJ(L)37/38, 13.02.03 and defined in EN 50419: 2005  
The bar is the symbol for marking of new waste and  
is applied only to equipment manufactured after  
13 August 2005