

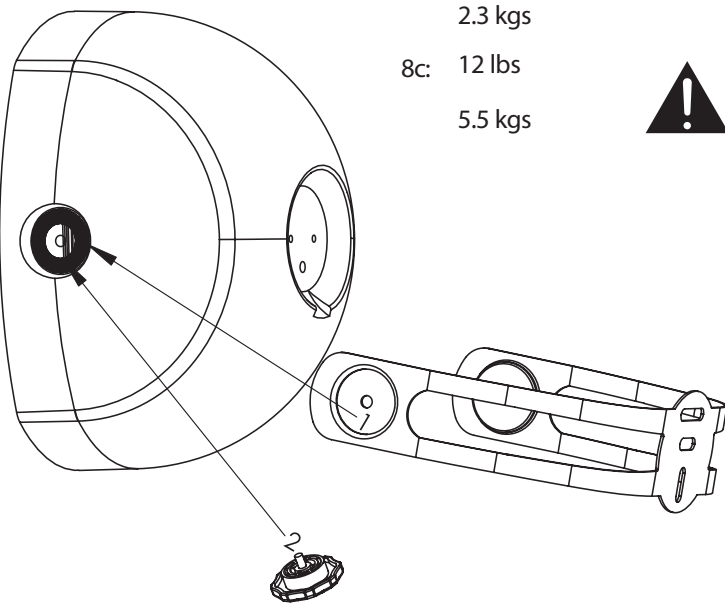
SPECIFICATIONS IMPULSE® 5c-8c

Description

The IMPULSE is a two-way speaker system. The lightweight-yet-rugged molded enclosure is designed for install applications. These speakers work great for music playback or speech. These units work for 100v, 70v or standard 8 OHM inputs. For 100v, 70v transformer operation there are selectable power levels. For 100v (70v) settings on the model 8C, there is a 30W(15W), 20W (10W), 10W(5W), and 5W(2.5W) tap selection. On the model 5C, the taps are 15W(7.5W), 10W(5W), 7.5W(3.75W), and 5W(2.5W).

Features:

- Two-way sound reinforcement enclosure
- 5" or 8" Woofer
- 0.75" or 1" Silk Dome Tweeter
- 100v, 70v or 8 Ohm operation.
- 50W (5c) or 70W (8c) Power handling
- Weather Resistant
- Durable Molded Polypropylene Enclosure
- Includes Steel Wall mounting Bracket
- Metal Grill



Frequency Response:

75Hz-20kHz (5c)
50Hz-20kHz (8c)

Sensitivity:

88 dB (5c)
88 dB (8c)

Power rating:

50W (5c)
70W (8c)

Max SPL:

105 dB (5c)
106 dB (8c)

Nominal impedance (Z):

8 ohms

Dispersion (Polar Coverage):

80 deg. H
50 deg. V

Dimensions (H x W x L):

5c:
10.5 in. x 7.5 in. x 8 in.
265 mm x 190 mm x 205 mm

8c:
14.65 in. x 9.25 in. x 10.55 in.
372 mm x 235 mm x 268 mm

Weight:

5c: 5 lbs
2.3 kgs
8c: 12 lbs
5.5 kgs



Mounting or suspension:

Steel Wall Mount Bracket

CAUTION: Before attempting to suspend this speaker, consult with a certified structural engineer. Speaker can fall from improper suspension, resulting in serious injury and property damage. Do not suspend or mount any other product or device from this enclosure! Use only the correct mating hardware. All associated rigging is the responsibility of others. **DO NOT OVER TORQUE HARDWARE. ALWAYS USE PROPER GRADE HARDWARE.** Consult Specification sheet for rigging information. www.peavey.com/flying_hardware. Failure to follow proper rigging specifications listed in the manual may result in injury or death. **CAUTION: ALWAYS USE SAFETY CHAIN. INSPECT RIGGING ANNUALLY.**

Warranty registration and information for U.S. customers available online at

www.peavey.com/warranty
or use the QR tag below



Features and specifications subject to change without notice.

Peavey Electronics Corporation 5022 Hartley Peavey Drive
Meridian, MS 39305 (601) 483-5365 FAX (601) 486-1278



Logo referenced in Directive 2002/96/EC Annex IV (OJL37/38, 13.02.03 and defined in EN 50419: 2005
The bar is the symbol for marking of new waste and is applied only to equipment manufactured after 13 August 2005

