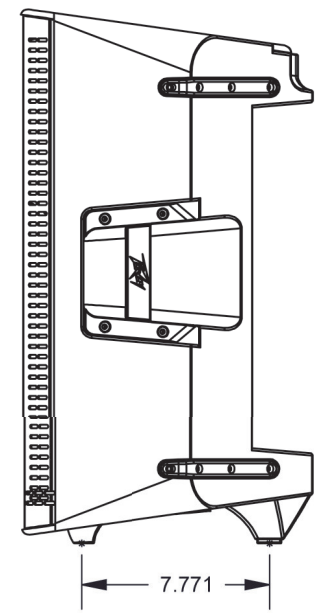
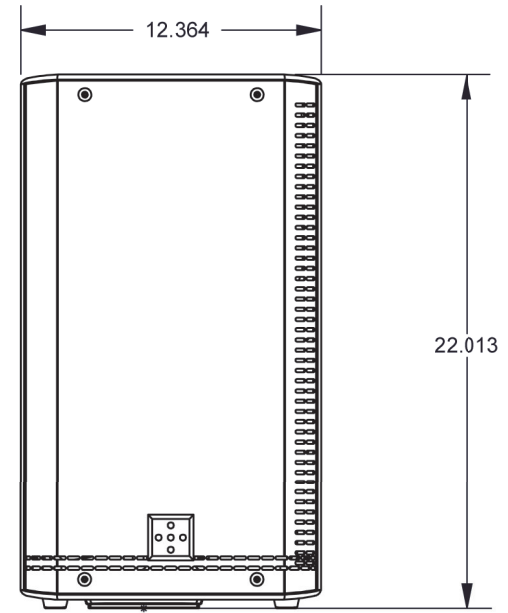
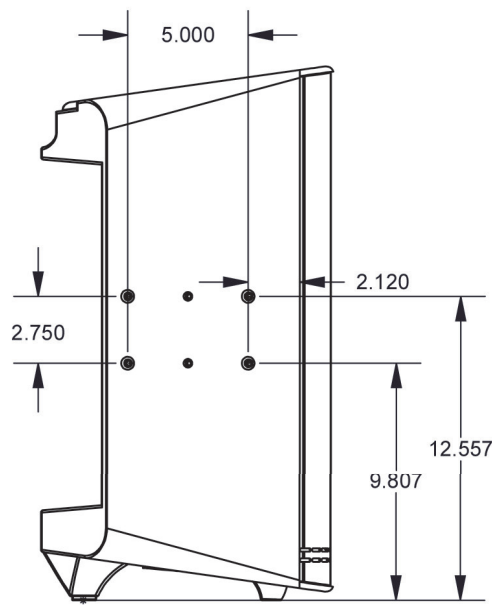



TOP MOUNTING
LOCATIONS



REV							DRWN	INTEL/ENGINEERING/SPEC/REL	 PEAVEY ELECTRONICS CORP. 5022 HARTLEY PEAVEY DRIVE MERIDIAN, MS 39002
REVISION/DESCRIPTION							DATE	TOLERANCES	
ZONE							CHKD	MATERIAL	
BY							SCALE	DESC.	
CHGD							MECH/ENGR	FINISH	
EQU							DATE	DWG NO.	REV.

RBN 110 Line Drawing